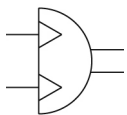


C(D)RA1-Z*30-100, Rotary Actuator, Rack & Pinion, Standard CDRA1BW30-180Z

Datasheet

- Rotary actuator
- Sizes: 30, 50, 63, 80, 100
- Rotating angle: 90°, 100°, 180°, 190°
- Adjustable rotation time range: from 0.2 to 5 s/90°.



Semi-rotary actuator, double acting

Standard specifications

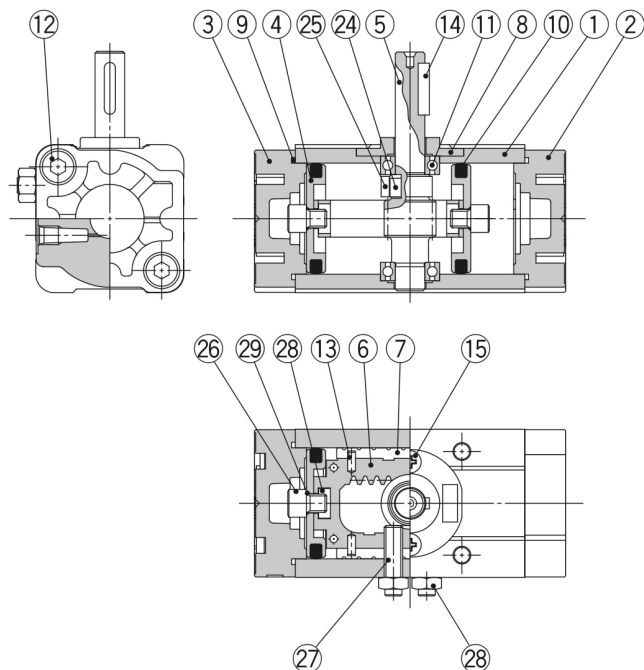
Magnet	D (Built-in)
Mounting	B (Basic)
Shaft Type	W (Double Shaft)
Angle Adjusting Unit	None
Type	Pneumatic
Size	30 mm
Port Thread	M Thread [ø30]; Rc [ø50-ø100]
Rotation Angle	180°
Type of Cushioning	None
Auto Switch	No Switch
Lead Wire or Prewired Connector	0.5m (Or None in the Case of No Switch)
Number	2 pcs.
Pressure medium	Compressed air (non-lube)
Maximum temperature of pressure medium	60 °C
Minimum temperature of pressure medium	0 °C
Maximum operating pressure	1.0 MPa
Minimum operating pressure	0.1 MPa
Maximum ambient temperature	60 °C
Minimum ambient temperature	0 °C
Conform to the European RoHS Directive	Conform

Number of pneumatic connections	2 pcs.
Pneumatic input connection	M5 x 0.8
Mode of operation of drive	Double acting
Weight	0.460 Kg

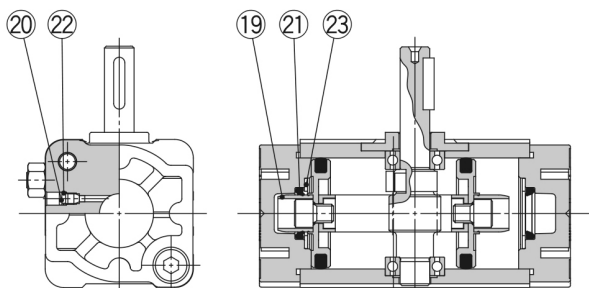
Constructions

Construction: Size 30

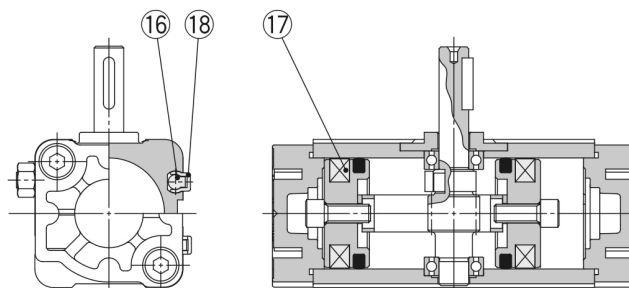
Without air cushion



With air cushion



Without air cushion With auto switch



Component Parts

No.	Description	Material	Note
1	Body	Aluminium alloy	Anodised
2	Right cover	Aluminium alloy	Metallic coating
3	Left cover	Aluminium alloy	Metallic coating
4	Piston	Aluminium alloy	
5	Shaft	Alloy steel	
6	Rack	Carbon steel	Nitrided
7	Slider	Resin	
8	Bearing retainer	Zinc alloy	Chromated
9	Tube gasket	NBR	
10	Piston seal	NBR	
11	Bearing	High carbon chrome bearing steel	
12	Hexagon socket head cap screw with washer	Alloy steel	Zinc chromated
13	Spring pin	Steel	Zinc chromated
14	Parallel key	Carbon steel	
15	Cross-recessed pan head tapping screw	Steel	Zinc chromated
16	Auto switch	—	
17	Magnet	—	
18	Switch spacer	Resin	
19	Cushion ring	Aluminium alloy	Anodised
20	Cushion valve	Steel	Nickel plated
21	Cushion seal	Urethane	
22	O-ring	NBR	

No.	Description	Material	Note
23	Seal retainer	Steel	
24	Parallel key	Carbon steel	
25	Stopper	Alloy steel	
26	Piston holding bolt	Alloy steel	Zinc chromated
27	Hexagon socket head set screw	Alloy steel	Zinc chromated
28	Hexagon nut	Steel	Zinc chromated
29	O-ring	NBR	

Additional information

Catalogue

[CRA1-C-Z_EU.pdf](#)

Operation manuals

[OM_CRA1-Z_OM00006EN-E.pdf](#)