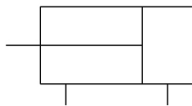


C(D)JP2, Pin Cylinder, Double Acting, Single Rod CJP2B6-10D

Datasheet

Machine builders looking to combine small double acting pin cylinders for clamping, pushing or stopping applications in their machines often have to juggle between the available components and the available space. But, thanks to the design engineers at SMC, world leaders in pneumatic technology, this challenge maybe a thing of the past with the introduction of their new Series CJP2 Pin Cylinder range. Now available in four bore size options, Series CJP2 includes a tiny, but powerful, 4mm bore size option making it the smallest double acting pin cylinder around. With 6, 10 and 16mm bore sizes completing the range, all feature extruded aluminium bodies making them not only compact but extremely light in weight. With longer stroke options of up to 40mm dependant on the selected bore size, the entire CJP2 Series can be fitted with direct mounted SMC D-M9/D-A9 auto switches without the need for additional mounting brackets. Further CJP2 options include rubber bumper cushions for impact resistance providing quieter operation and made to order models including both heat and cold resistant types. Mounting possibilities include Basic/Panel, Flange, Foot, Clevis and trunnion options and the new CJP2 Series is fully interchangeable with SMC's existing CJP range.



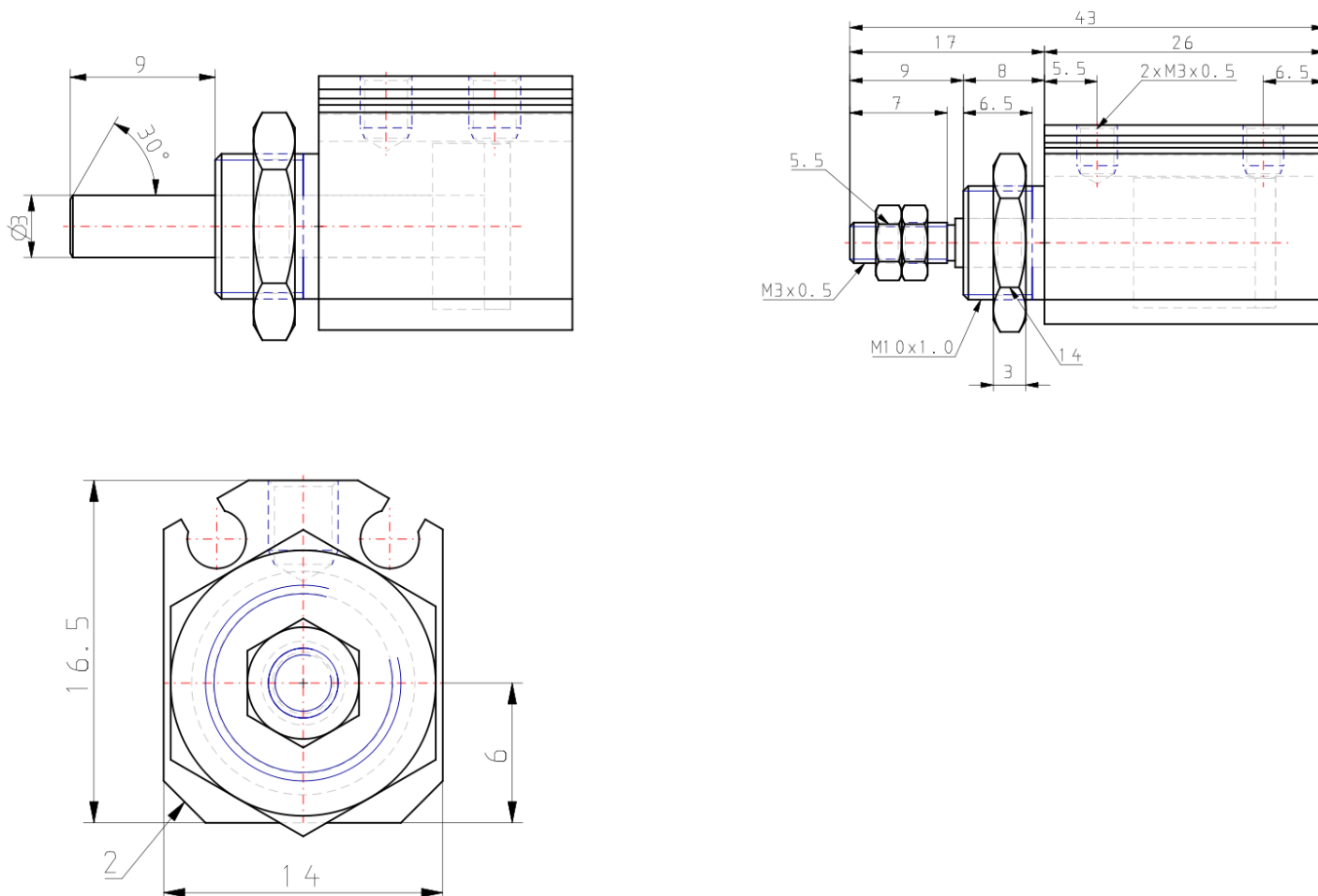
Double-acting, single-rod cylinder

Standard specifications

| | |
|----------------------------------------|-------------------------------------------|
| Magnet | None |
| Mounting | B (Basic) |
| Bore Size | Ø6 mm |
| Stroke | 10 mm |
| Rod End Thread | With Thread |
| Auto Switch | No Switch |
| Lead Wire or Prewired Connector | 0.5m [Or None in the Case of No Switch] |
| Number | 2 pcs. [Or None in the Case of No Switch] |
| Pressure medium | Compressed Air |
| Maximum temperature of pressure medium | 70 °C |
| Minimum temperature of pressure medium | -10 °C |
| Maximum operating pressure | 0.7 MPa |

| | |
|---------------------------------------------------------|---------------|
| Minimum operating pressure | 0.12 MPa |
| Proof pressure | 1.05 MPa |
| Maximum ambient temperature | 70 °C |
| Minimum ambient temperature | -10 °C |
| Conform to the European RoHS Directive | Conform |
| Numero of pneumatic connections | 2 pcs. |
| Pneumatic input connection | M3 x 0.5 |
| Mode of operation of drive | Double acting |
| Theoretical cylinder force, advance stroke (at 0.5 MPa) | 14.1 N |
| Theoretical cylinder force, return stroke (at 0.5 MPa) | 10.6 N |
| Type of cushioning | Rubber bumper |
| Male thread of rod end | M3 |
| Weight | 0.018 Kg |

Dimensions



Additional information

Catalogue

[CJP2-CJP_EU.pdf](#)

Operation manuals

[cjp2_op_manual_cjp2-om0002k.pdf](#)