

KK130P-*M, S-Couplers, Male Thread

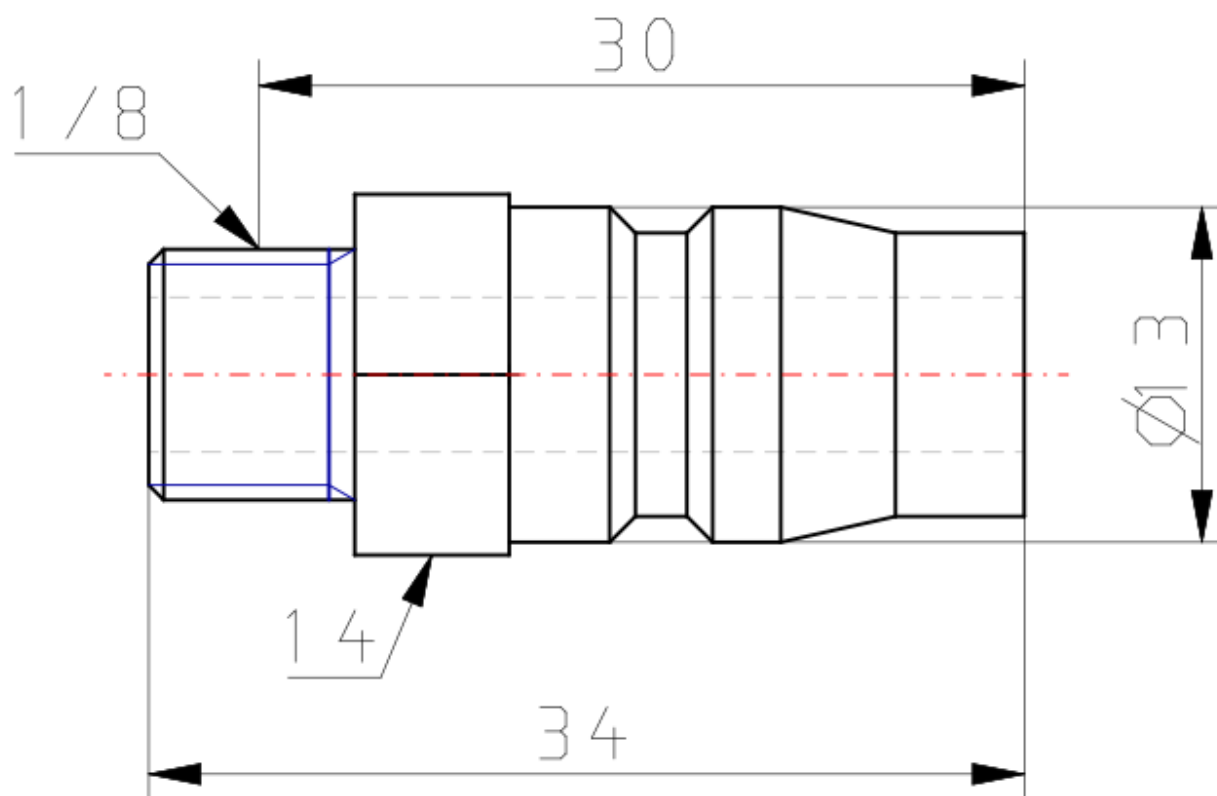
KK130P-01MS

Datasheet

- S coupler with Plug and Socket
- Energy saving and Cost reduction
- Plug insertion forced reduced by 22 %
- Compact and Lightweight reduced by 14 %
- Applicable tubing from Ø 6 to Ø 1/2
- Thread, sizes: R, Rc, NPT from 1/8 to 1/2
- One-touch fitting type is available as standard
- Sleeve lock mechanism is available.

Piping Port Size	R 1/8
Pressure medium	Air
Maximum operating pressure	1.5 MPa
Minimum operating pressure	0 MPa
Proof pressure	2 MPa
Maximum ambient temperature	80 °C
Minimum ambient temperature	-20 °C (with no freezing)
Sealing principle	Male thread with sealant
Plating	Sleeve: Electroless nickel plated Other external metal parts: Zinc chromated
Weight	0.019 Kg

Dimensions



Additional information

Catalogue

[KK130-B_EU.pdf](#)