

VNB (Air Operated), Process Valve for Flow Control EVNB301B-F20A

Datasheet

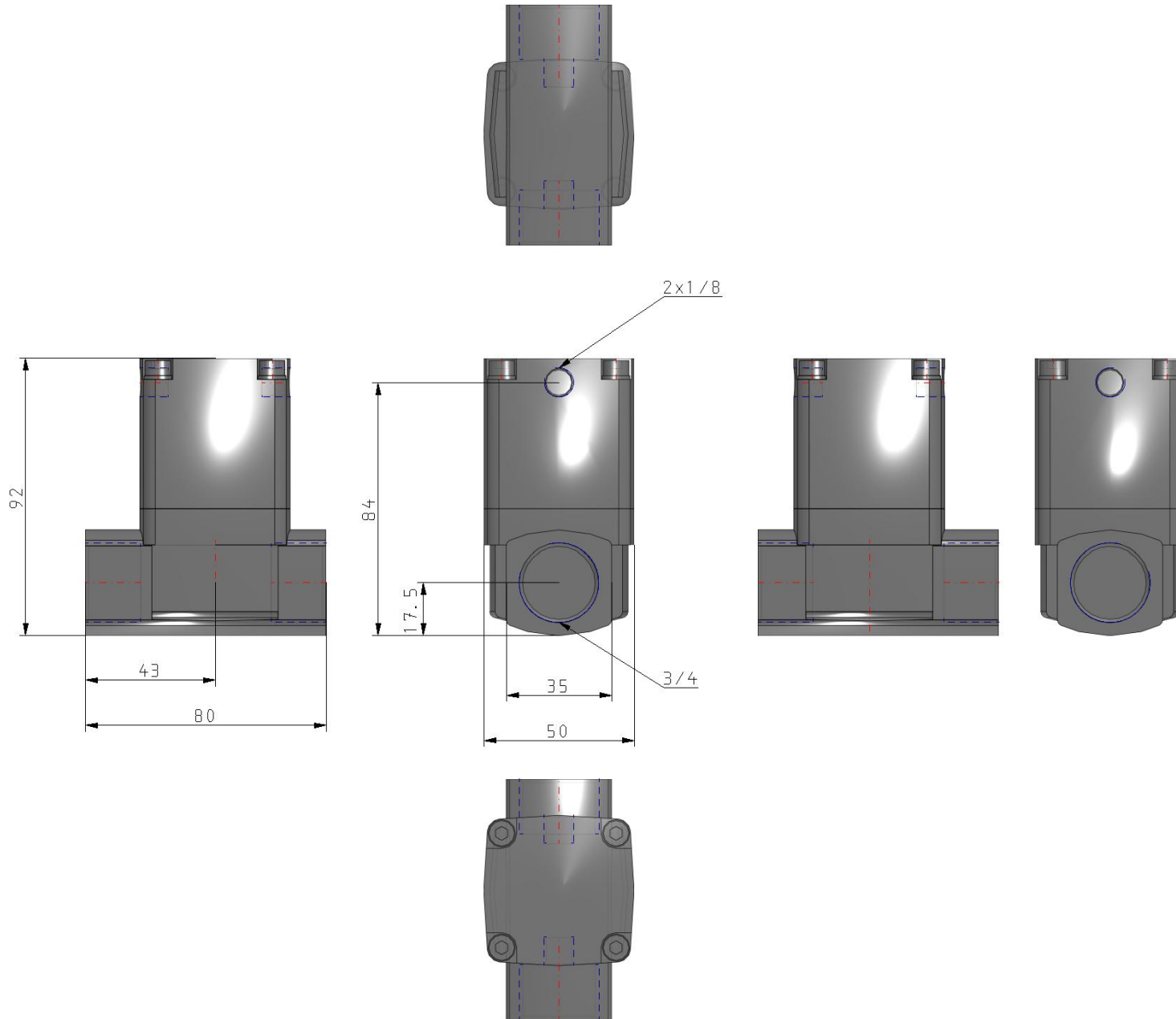
General series information

- Process valve series VNB
- Air operated type
- Orifice size: 7mm to 50mm
- Port size: 1/8 to 2 Rc(PT)
- Seal material: NBR, FKM, EPR

Standard specifications

| | |
|--|--|
| Area Code | E (Europe) |
| Size | 3 [\varnothing 20(\varnothing 14)] |
| Valve Type | 1 [NC (Operating Pressure 05 MPa)] |
| Sealant | B (FKM Seal) |
| Body Material | Standard (Bronze Body) |
| Pilot System Option | Standard |
| Thread | F (G(PF)) |
| Port Size | 20A (3/4) |
| Bracket | None |
| Maximum temperature of pressure medium | 99 °C |
| Minimum temperature of pressure medium | -5 °C |
| Proof pressure | 1.5 MPa |
| Maximum ambient temperature | 60 °C |
| Minimum ambient temperature | -5 °C |
| Pressure range | Low vacuum to 0.5 MPa |
| External pilot air: Press. | 0.25 - 0.7 MPa |
| External pilot air: Temperature | -5 °C - 60 °C |
| Weight | 0.909 Kg |

Dimensions



Specifications are subject to change without prior notice and any obligation on the part of the manufacturer.

Additional information

| | |
|---------------------------|--|
| Catalogue | VN_EU.pdf |
| Declaration of conformity | DoC_VNx_TFM0001-B.pdf newDoC_VN_TF1V174EN.pdf |
| Installation manuals | IM_VNB_TFM92EN-B.pdf IM_VNB_TF2Z301EN.pdf |
| Operation manuals | OM_VNB_OMA0005EN-D.pdf |