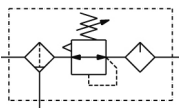


AC20-D to AC60-D Filter + Regulator + Lubricator AC40-F04DE-D

Datasheet

General series information

- ISO 8573-1:2010 compliant
- Port Size: 1/8, 1/4, 3/8, 1/2, 3/4, 1
- Body size: 20, 30, 40, 50, 60.



Air combination. Air filter, regulator and Lubricator

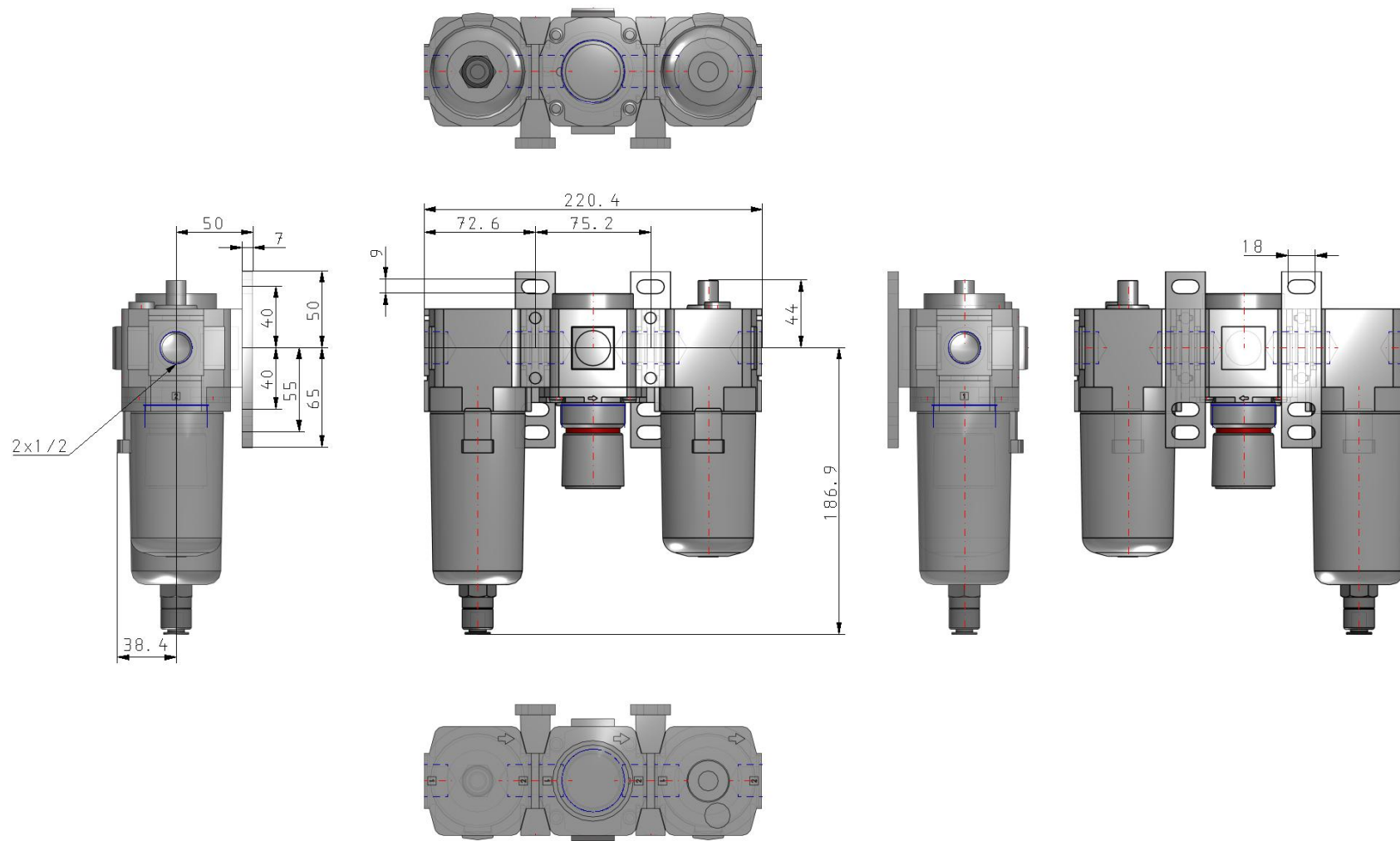
Standard specifications

Body Size	40
Thread	F (G)
Port	04 (1/2)
Float type auto drain	D [Float Type Auto Drain (N.O.)]
Pressure gauge / Digital pressure switch	E [Square embedded type pressure gauge (with limit indicator)]
Residual Pressure Relief 3 Port Valve	Without
Set pressure	Standard (0.05 to 0.85 MPa)
Bowl type +Drain Cock for Lubricator	Standard (Polycarbonate Bowl + Lubricator without Drain Cock)
Filter Regulator Drain Port	Standard
Exhaust Mechanism	Relieving
Flow Direction	Standard (Flow Direction: Left->Right)
Drain Cock w/Barb Fitting	Without Barb Fitting
Pressure Units	Standard (Name Plate, Caution Plate for Bowl, and Pressure Gauge: MPa)
Pressure medium	Air
Maximum temperature of pressure medium	60 °C
Minimum temperature of pressure medium	-5 °C (with no freezing)
Maximum operating pressure	1.0 MPa
Proof pressure	1.5 MPa

Maximum ambient temperature	60 °C
Minimum ambient temperature	-5 °C (with no freezing)
Conform to the European RoHS Directive	Conform
Approvals	No need
Drain Capacity	45 cm ³
Oil capacity	135 cm ³
Max. Flow rate (inlet pressure = 1.0 MPa)	7000 l/min
Weight	1.454 Kg

Specifications are subject to change without prior notice and any obligation on the part of the manufacturer.

Dimensions



Additional information

Catalogue

[ACD-D_EU.pdf](#)