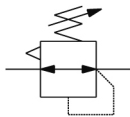


## IR1000~3000, Precision Regulator IR2010-02B

### Datasheet

Series IR Precision Regulators are designed to be compact and light weight. The maximum set pressure has been expanded from the conventional 0.7MPa to 0.8MPa. Relief flow has been increased by nearly 5 times (compared to SMC IR201, IR401). The optional bracket and pressure gauge can be mounted on either the front or back of the unit.



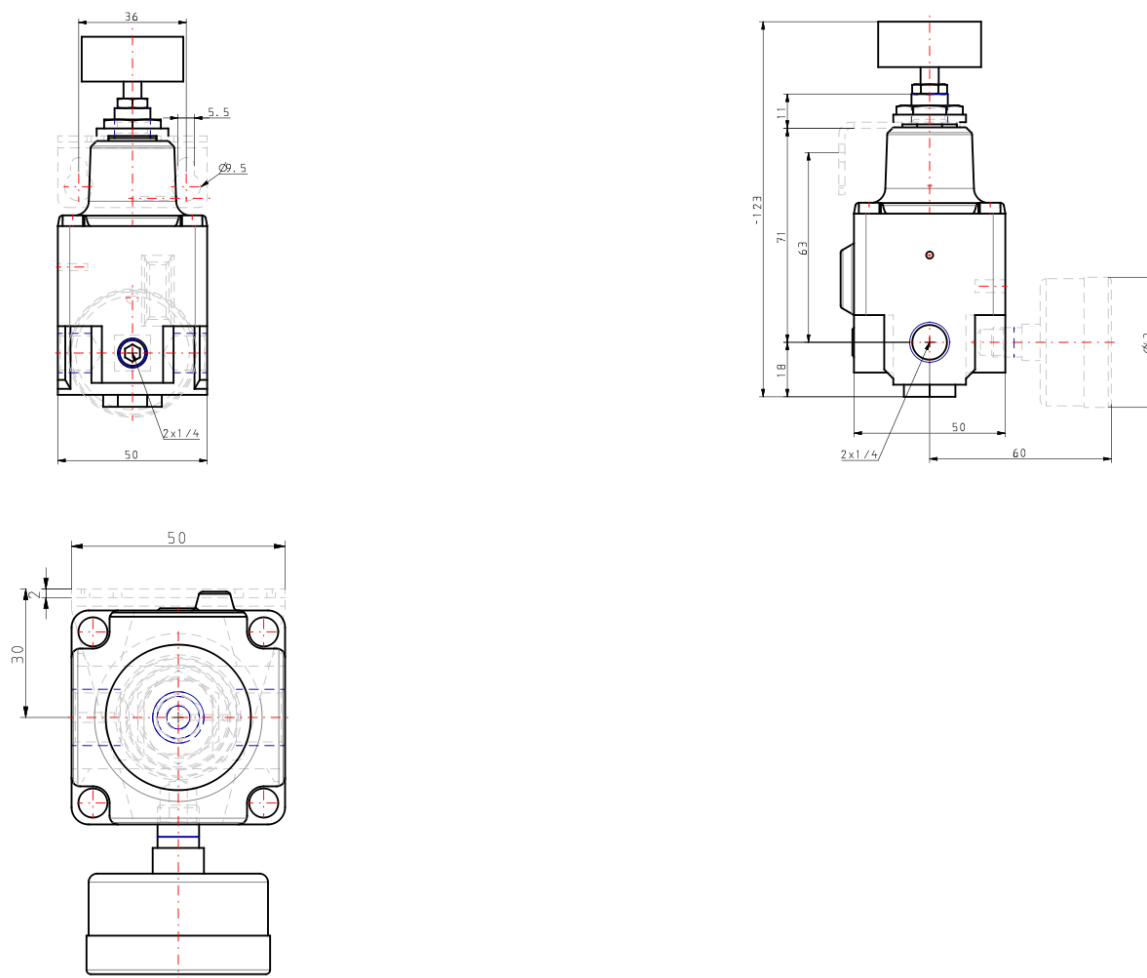
Pressure control valve, relieving pressure regulator, adjustable

### Standard specifications

Body Size	2 (IR2000)
Type of Setting	0 (Basic [Handle])
Set Pressure	1 (0.01~0.4MPa [IR1000/2000] or 0.01~0.4MPa [IR3000])
Thread	Rc(PT)
Port Size	02 (1/4 [IR2000/3000])
Accessory	B (Bracket)
Suffix 1	Standard
Suffix 2	None
Made to Order	None
Switch Specifications	None
Pressure medium	Air
Maximum temperature of pressure medium	60 °C
Minimum temperature of pressure medium	-5 °C [with no freezing]
Maximum operating pressure	1.0 MPa
Minimum operating pressure	+0.05 Mpa
Maximum ambient temperature	60 °C
Maximum ambient temperature with magnet	-5 °C [with no freezing]
Conform to the European RoHS Directive	Conform
Approvals	No need
Sensitivity	Within 0.2% of full span
Repeatability	Within 0.5% of full span

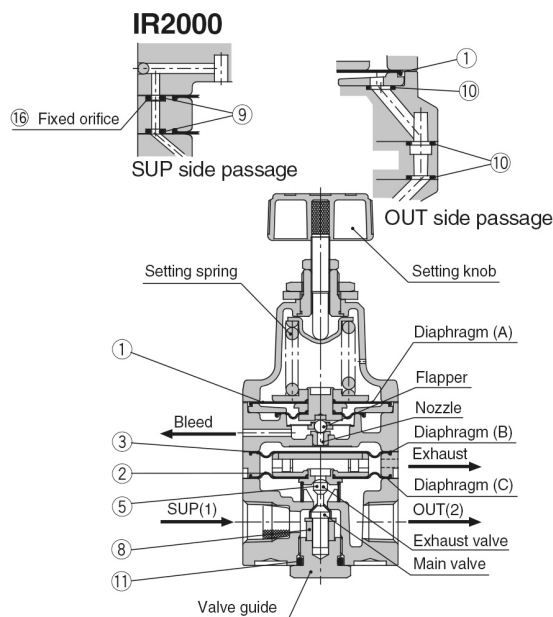
Set pressure range	0.01 - 0.4 MPa
Linearity	Within 1% of full span
Air consumption (At supply pressure of 1.0 MPa)	4.4 l/min (ANR) or less
Input signal pressure	0.01 - 0.8 Mpa
Weight	0.310 Kg

## Dimensions



# Constructions

## Construction



### Replacement Parts

No.	Description	Material	IR20□0	
			Part no.	Qty.
1	Diaphragm assembly	NBR, other	P362020-2	1
2	Diaphragm assembly	NBR, other	P362020-5	1
3	Diaphragm	NBR, other	P36202019	1
4	Valve	Stainless steel, NBR	—	—
5	Valve	Stainless steel, NBR	P36202068#1	—
6	Valve	Brass, NBR	—	—
7	Valve	Brass, NBR	—	1
8	Damper	NBR, other	P36202026	2
9	O-ring	H-NBR	ø1.42 x 1.52	3
10	O-ring	NBR	ø4.5 x 1	1
11	O-ring	NBR	JISB2401P11	—
12	O-ring	NBR	—	—
13	O-ring	NBR	—	—
14	Seal (A)	NBR	—	—
15	Seal (B)	NBR	—	1
16	Fixed throttle	Stainless steel	P36202018	—
Repair kit no. (A set of above nos. ① to ⑮.)			KT-IR2000	

## Additional information

Catalogue

[IR1000-2000-3000-B\\_EU.pdf](#)