

Elbow - AS*2*1F AS1201F-M3-02

Datasheet

General series information

- Port Size: M3, M5, 10-32 UNF, 1/8, 1/4, 3/8, 1/2
- Applicable Tubing O.D.: Ø 2 to Ø 12 mm and Ø 1/8" to Ø 1/2"
- Operating Pressure Range: 0.1 to 1 MPa.

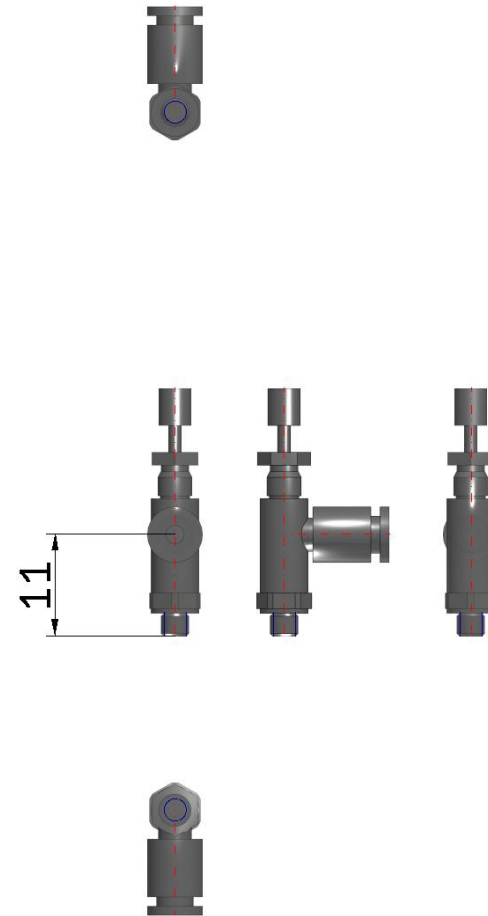
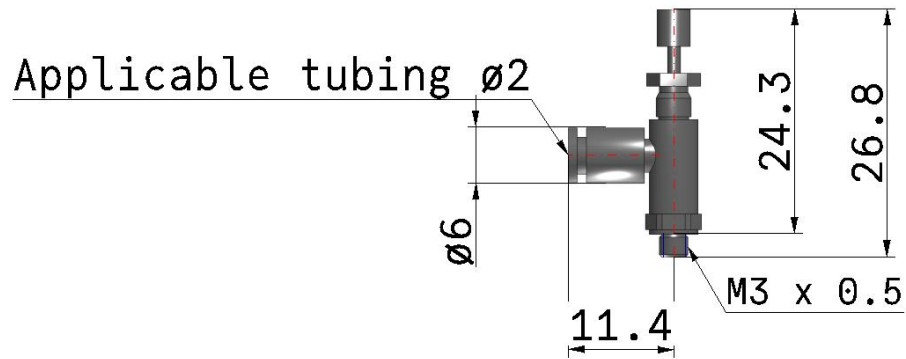


Flow control valve, adjustable, with reverse free flow

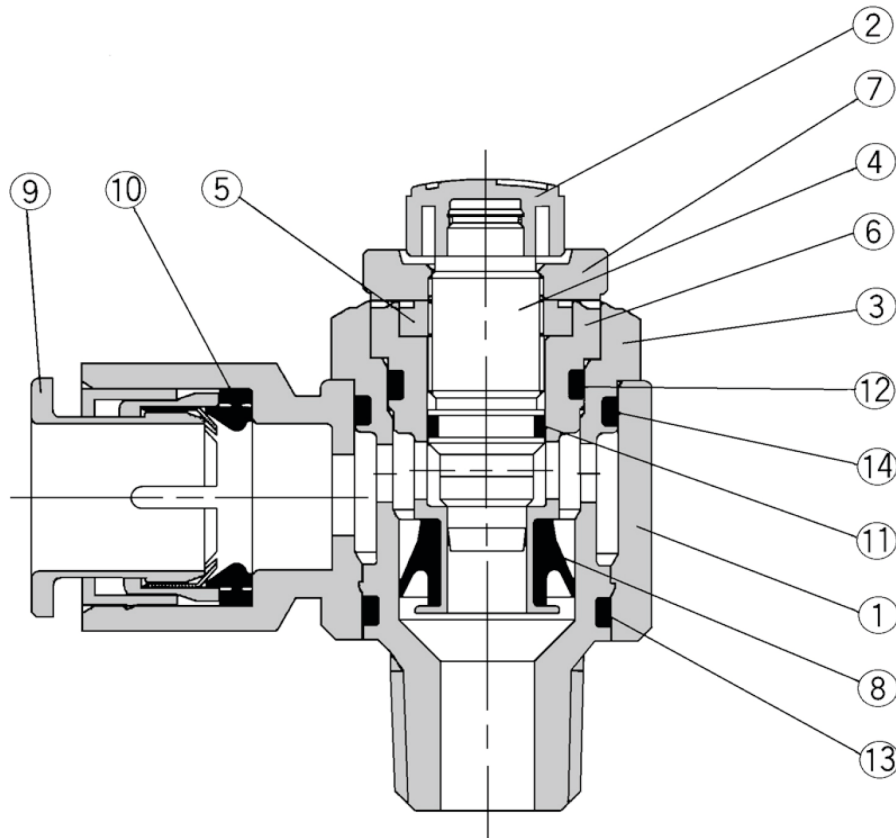
Standard specifications

Size	12 (M3, M5 Basis - elbow)
Control Method	0 (Meter-out)
Port Size and Tube Size	M3-02 (Port Size M3 - Tube Size ø2)
Option	None
Fixed Orifice	None
Made to Order	None
Lock Nut	Standard (Hexagon)
Pressure medium	Air
Maximum operating pressure	0.7 MPa
Minimum operating pressure	0.1 MPa
Proof pressure	1.05 MPa
Maximum ambient temperature	60 °C
Minimum ambient temperature	-5 °C
Applicable tubing material	Nylon, Soft nylon, Polyurethane
Weight	0.003 Kg

Dimensions



Constructions



Component Parts

No.	Description	
①	Body A	PBT
②	Handle	PBT ⁽¹⁾
③	Body B	Brass ⁽²⁾
④	Needle	Brass
⑤	Needle guide	Brass
⑥	Seat ring	Brass
⑦	Lock nut	Steel
⑧	U-packing	HNBR
⑨	Cassette	POM, Stainless steel
⑩	Packing	NBR
⑪	O ring	NBR
⑫	O ring	NBR
⑬	O ring	NBR
⑭	O ring	NBR

Note 1) AS12□1F-M3-02 and AS12□1F-M5-02 are made of electroless nickel plated brass.

Note 2) AS12□1F-M3: Stainless

Note 3) AS22□1F, AS32□1F-02: Electroless nickel plated

Note 4) Meter-in type: Black zinc chromated

Additional information

Catalogue	AS_2-3_1F-A_EU.pdf
Operation manuals	OM_AS-F_OMG0107EN-A.pdf