

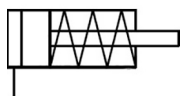
## CJP, Pin Cylinder, Single Acting, Spring Return

### CJPB10-10

Datasheet

### General series information

- Single acting, spring return, pin cylinder
- Compact design-minimizes mounting space
- Three bore sizes available
- Strokes from 5mm to 15mm available
- Two mounting styles available

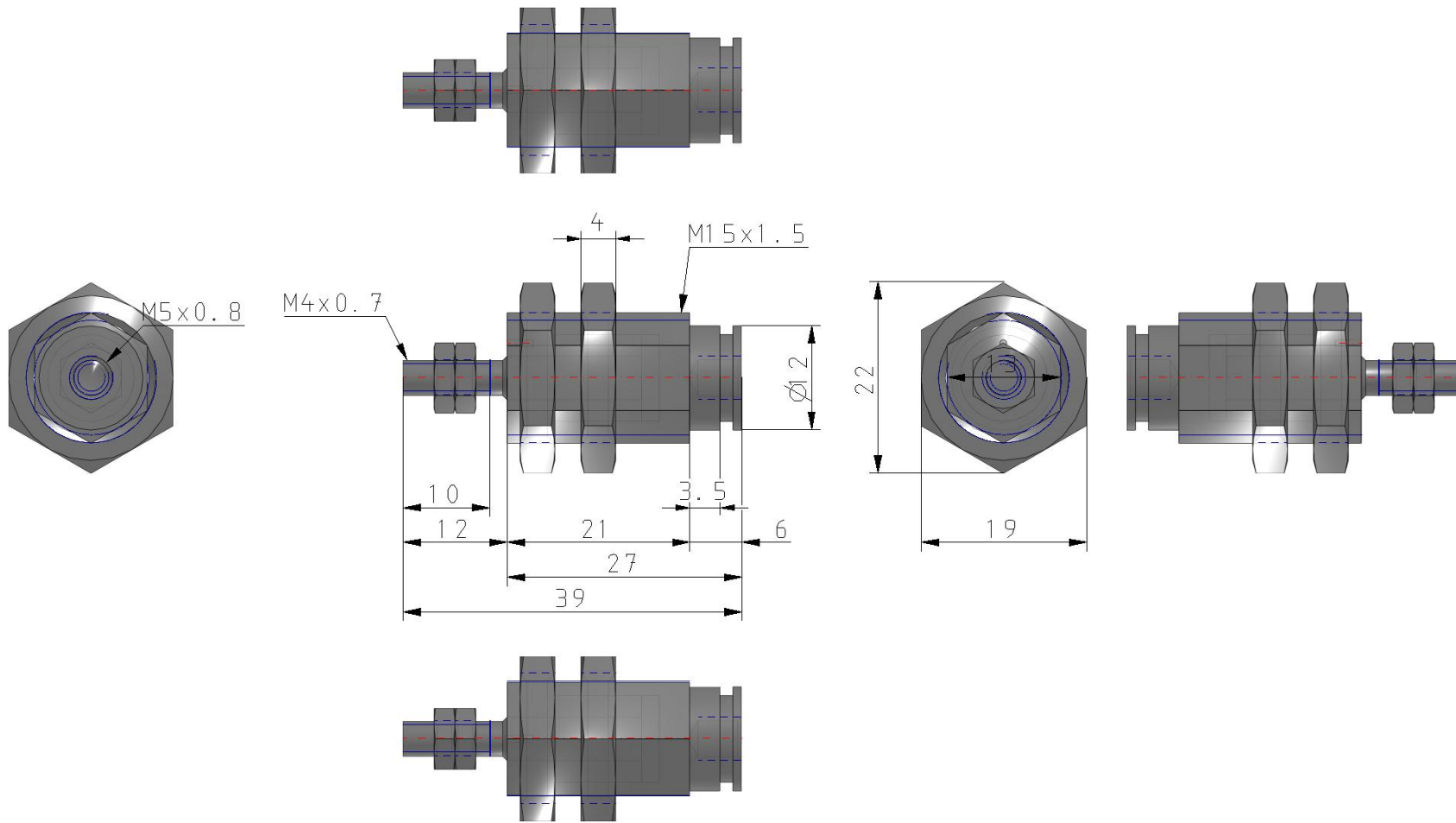


Single-acting cylinder, single piston rod, return stroke by spring

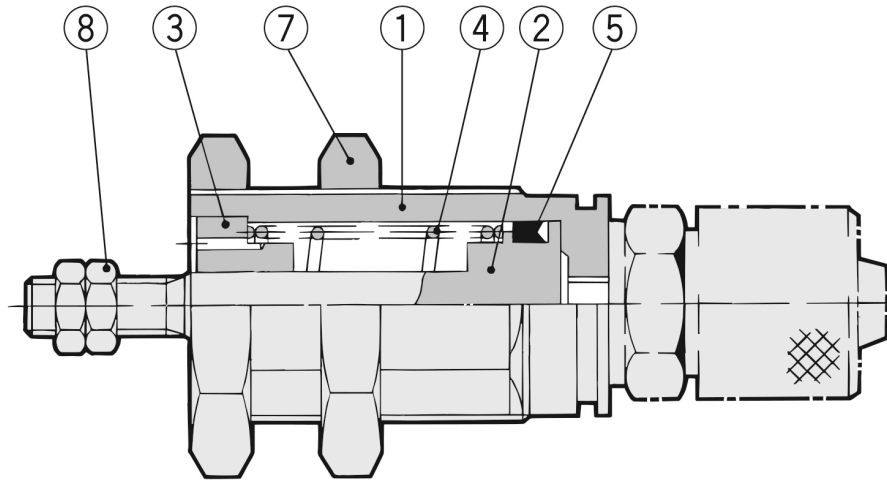
### Standard specifications

Mounting	B (Panel Mount Style)
Bore Size	10mm
Stroke	10mm
Hose Nipple	None
Rod End Thread	Thread
Maximum operating pressure	0.7 Mpa
Minimum operating pressure	0.15 MPa
Proof pressure	1.05 MPa
F040-Typ_of_cush	None
Lubrication	Not required (non-lube)
Ambient and fluid temperature	-10 - 70°C
Stroke length tolerance	+1.0 0
Thread Tolerance	JIS class 2
Piston speed	50 - 500 mm/s
Action	Single acting, spring return
Accessory (Standard equipment)	Mounting nut (2) Rod end nut (2)

# Dimensions



## Constructions



### Component Parts

No.	Description	Material	Note	
1	<b>Cover</b>	Brass	Electroless nickel plated	
2	<b>Piston</b>	Stainless steel		
3	<b>Collar</b>	Oil-impregnated sintered alloy	ø4	Brass + Electroless nickel plated
			ø6, ø10	Bronze
4	<b>Return spring</b>	Steel wire	Zinc chromated	
5	<b>Piston seal</b>	NBR		
7	<b>Mounting nut</b>	Brass	Electroless nickel plated	
8	<b>Rod end nut</b>	Steel	Nickel plated	

## Additional information

Catalogue	<a href="#">CJP2-CJP_EU.pdf</a>
Operation manuals	<a href="#">cjp_cjp_-om0002c-a.pdf</a>