

Metric - KS KSL06-02S

Datasheet

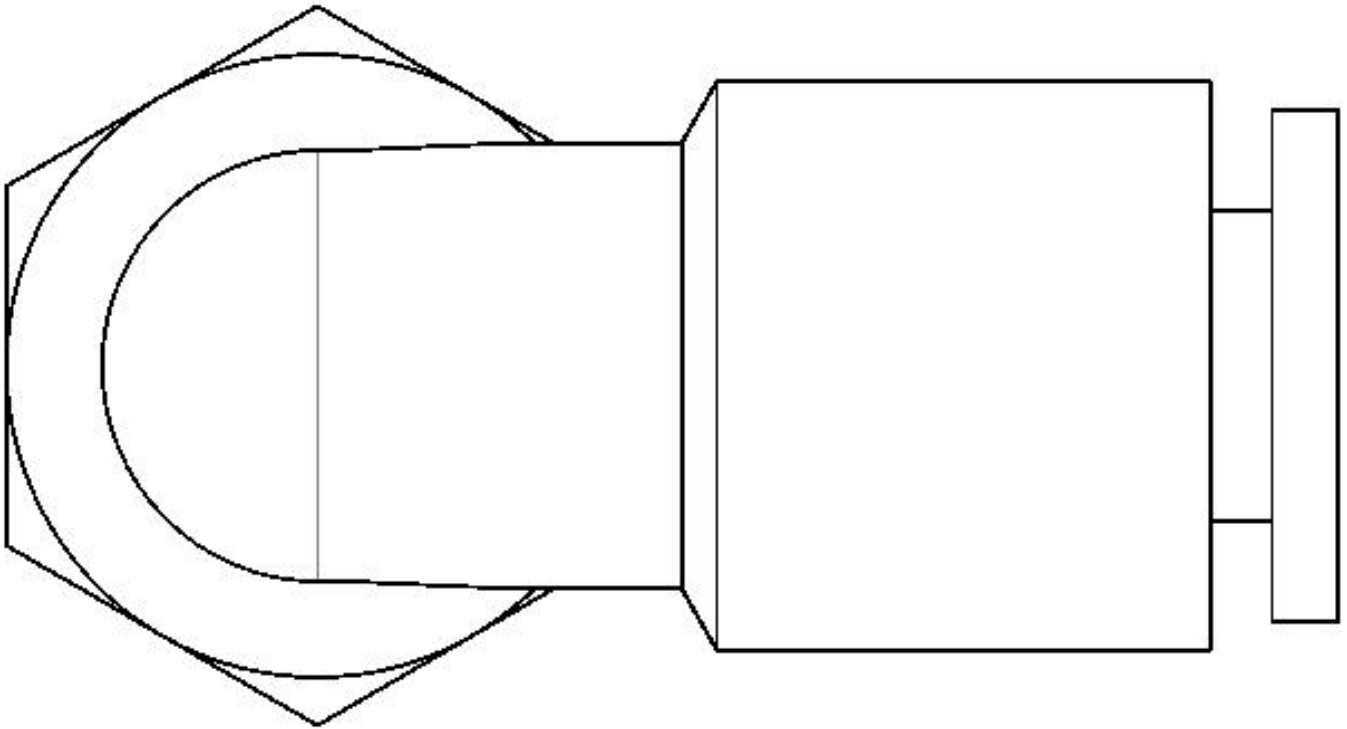
General series information

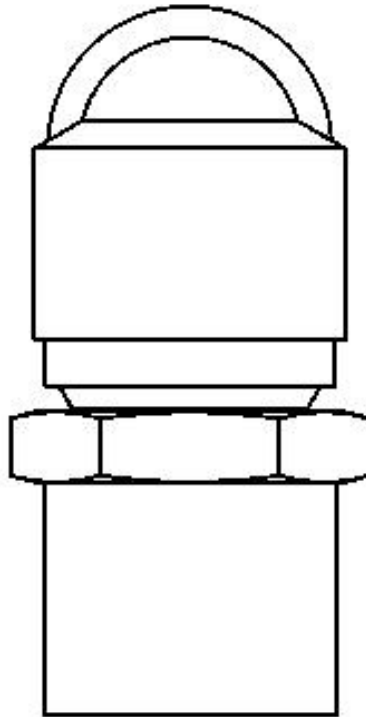
- Rotary, One-touch fitting (standard)
- Metric threads
- Tube OD: Ø4, Ø6, Ø8, Ø10, Ø12
- Maximum operating pressure: 1.0 MPa
- Ambient & fluid temperature: -5 to 60°C

Standard specifications

Model	L (Male Elbow)
Applicable Tube OD	Ø6 mm
Port Size	02 (R[PT] 1/4)
Sealant	S [Sealant]
Pressure medium	Air
Maximum ambient temperature	60 °C
Minimum ambient temperature	-5 °C (no Freezing)
Usable tubing material	Nylon, Soft nylon, Polyurethane

Dimensions





Specifications are subject to change without prior notice and any obligation on the part of the manufacturer.

Additional information

Catalogue

[KS_KX_EU.pdf](#)