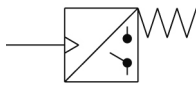


ISE70/71, 3-Screen Display Digital Pressure Switch for Air ISE70-F02-L2

Datasheet

General series information

- Angled display.
- Rotating display.
- 3 setting modes.
- IO-Link Compatible.
- Pressure range: 0 to 1.6 MPa.



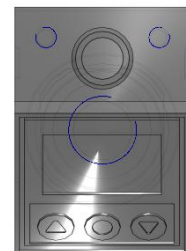
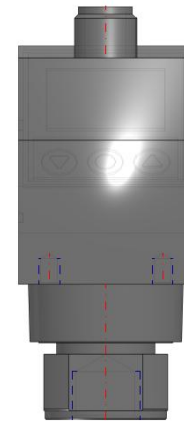
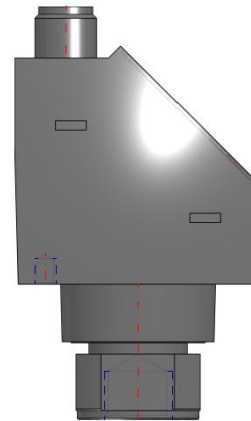
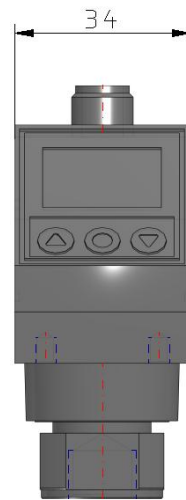
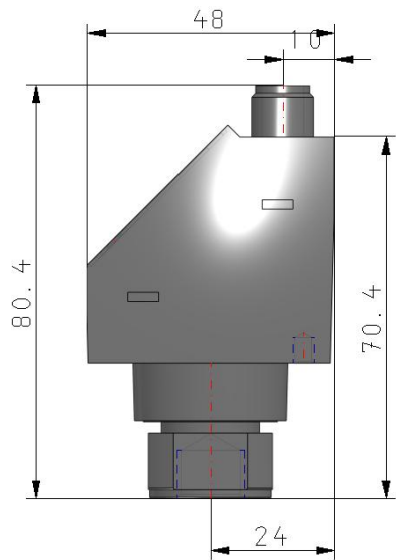
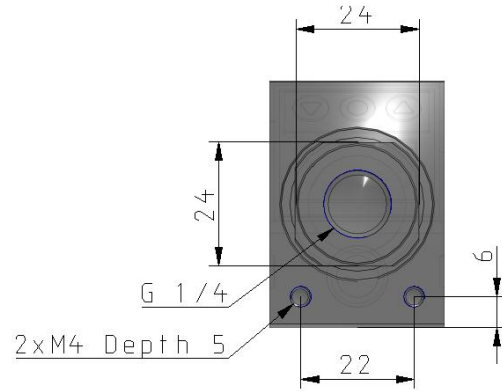
Non adjustable pressure switch

Standard specifications

Pressure Range	ISE70 (0 to 1 MPa)
Piping	F02 (G 1/4)
Output Specification	L2 (IO-Link: Switch Output 1 + Switch Output 2 [Switch Output: NPN or PNP Switching Type])
Unit Specification	w/Unit Selection Function
Lead Wire	None
Bracket	None
Operation Manual/Calibration Certificate	Operation Manual
Maximum ambient temperature	50 °C
Minimum ambient temperature	0 °C
General power supply	18 to 30 VDC (IO-Link), 12 to 24 VDC (switch output)
Approvals	CE
Response time	1.5 s or less
Enclosure	IP67
Repeatability	±0.5 % F.S.
Current consumption	35 mA or less
Applicable fluid	Air, Non-corrosive gas, Non-flammable gas
Rated pressure range	0 to 1 MPa

Withstand pressure	1.5 MPa
Number of screens	3-screen display
Weight	0.150 Kg

Dimensions



Additional information

Catalogue	ISE7xG-C_EU.pdf
Declaration of conformity	newDoC_ISE70_71_TF1Y082EN.pdf
Installation manuals	IM_ISE70_71_TF2Z062EN.pdf
Operation manuals	OM_ISE70_71_OMW0002EN-E.pdf OM_ISE70-71-AB_QUICKGUIDE.pdf OM_ISE70-71xl2_OMV0004EN-I.pdf ISE7G_Quickguide.pdf