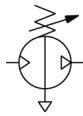


VBA2#A,4#A, Booster Regulator VBA20A-03GN

Datasheet

General series information

- Service life increased.
- Noise reduced.
- Condensation reduced.
- Reliability improved.



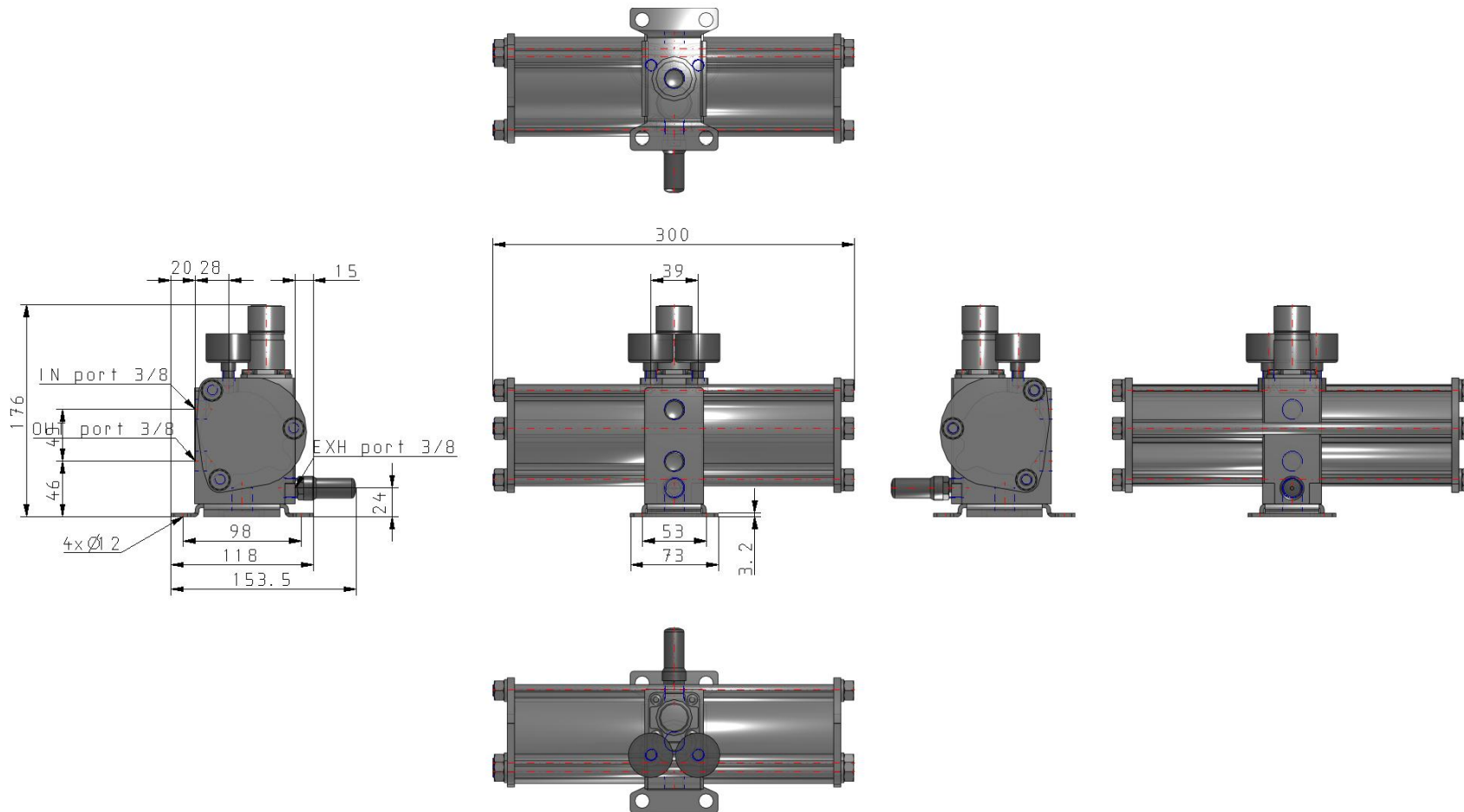
Pneumatic booster regulator, handle operated

Standard specifications

Made to Order	Standard
Body Size	20A (3/8, Handle-operated Type)
Thread Type	Rc (PT)
Port Size	03 (3/8)
Option	GN [Pressure Gauge (2 pcs.), Silencer]
Semi-standard	Standard
Pressure medium	Compressed Air
Maximum operating pressure	1.0 MPa
Minimum operating pressure	0.2 MPa
Proof pressure	1.5 MPa
Maximum ambient temperature	50 °C
Minimum ambient temperature	2 °C (No freezing)
Approvals	No need
Number of pneumatic connections	3 pcs.
Flow rate	1000 l/min
Set pressure range	0.2 to 1.0 MPa
Port size	Rc 3/8
Pressure increase ratio	Twice
Pressure adjustment mechanism	Handle-operated with relief mechanism

Supply pressure range (MPa)	0.1 to 1.0 MPa
Pressure gauge port size (Rc) (IN/OUT: 2 locations)	1/8
Installation	Horizontal
Lubrication	Grease (Non-lube)
Weight	3.800 Kg

Dimensions



Additional information

Catalogue	VBA-VBAT-Dd_EU.pdf
Operation manuals	OM_VBA-OM-L007_EN-E.pdf VBA_MM_M009GB-B.pdf MM_VBA20A_MM-L010EN-A.pdf VBA40A_MM_L004EN-B.pdf