

## VT307, 3 Port Direct Operated Poppet, All Types

### VT307-5DZ1-01-F-Q

Datasheet

### General series information

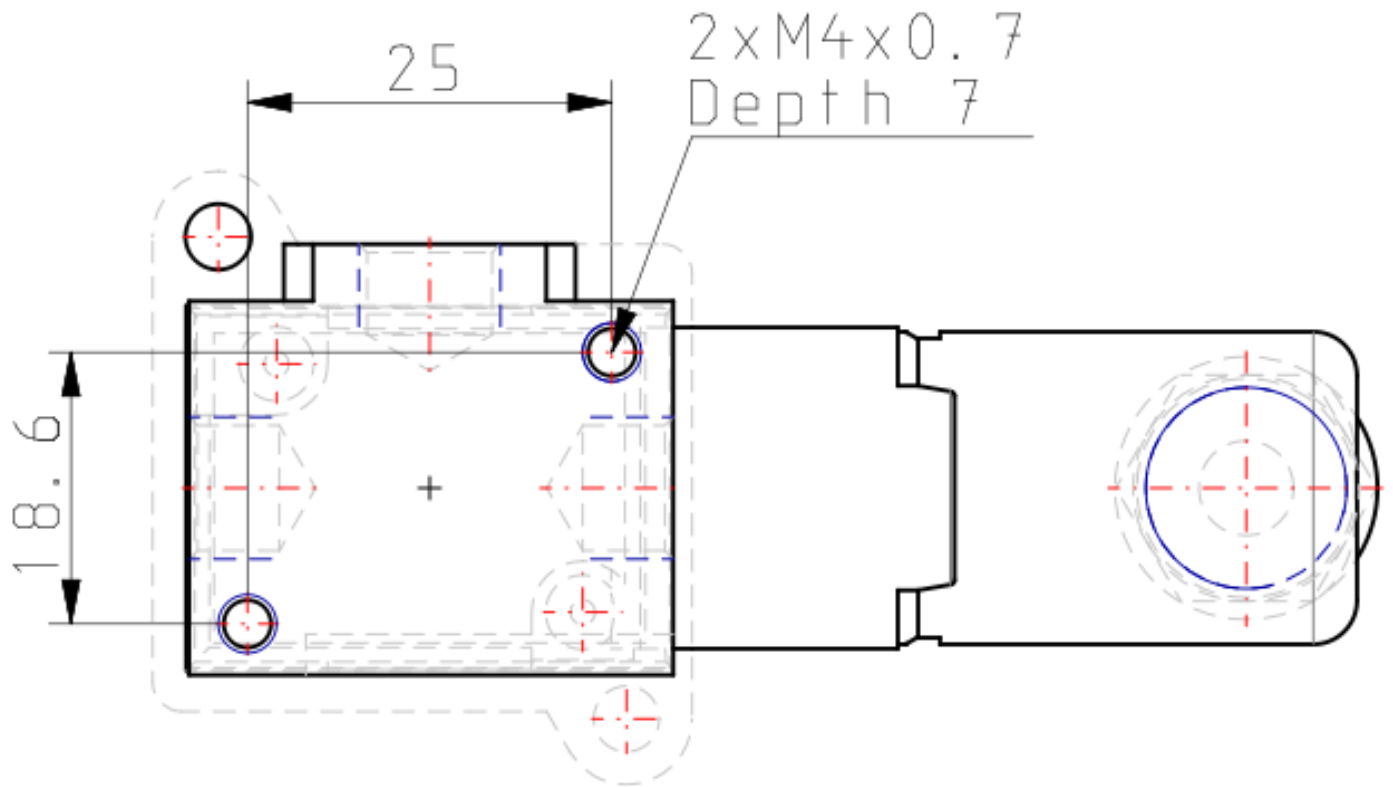
- Wide variety of valve options .
- Low Power Consumption.
- Universal porting type.
- Same mounting dimensions as the current product in both types (body ported and for manifold type).
- Low concentration ozone resistant: HNBR rubber seal.
- RoHS and CE compliant.

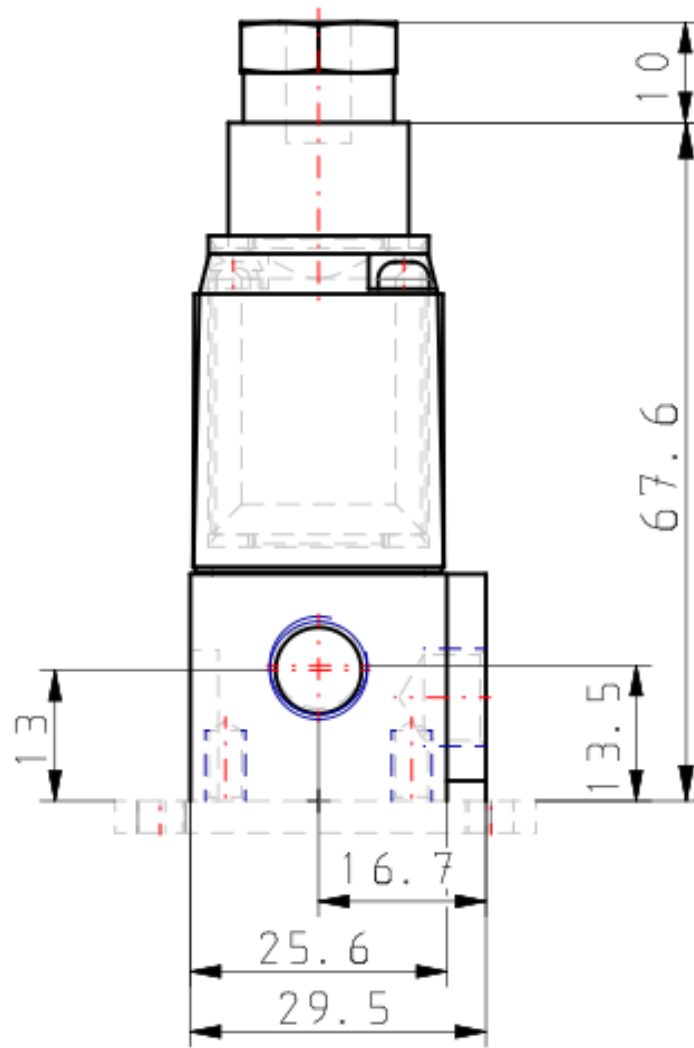
### Standard specifications

Body	T (Body Ported)
Valve specification	Standard
Pressure specifications	Standard Type [0.7 MPa]
Rated Voltage	5 (24V DC)
Electrical Entry	D (DIN connector [with connector])
Indicator light and surge voltage suppressor	Z (W/indicator light and surge suppressor)
Port Size	01 (1/8 [6A])
Thread	Rc (PT [or None])
Option	F (With foot bracket)
CE Marked	Q (CE Marked)
Pressure medium	Air
Maximum temperature of pressure medium	50 °C
Minimum temperature of pressure medium	-10 °C (No freezing)
Maximum ambient temperature	50 °C
Minimum ambient temperature	-10 °C (No freezing)
Protection class with connector	Dustproof
Function in normal position	Closed

Type of piloting	Directly
Valve return	Mechanical spring
Sealing principle	Soft seal
Weight	0.207 Kg

## Dimensions





## Additional information

Catalogue	<a href="#">VT_A_EU.pdf</a>
Declaration of conformity	<a href="#">newDoC_VT307N_TF1Y176EN.pdf</a> <a href="#">newDoC_New_VT307_TF1V163EN.pdf</a> <a href="#">DoC_NewVT307_TFQ0001-A.pdf</a>
Installation manuals	<a href="#">IM_VT307_TF2Z546EN.pdf</a>
Operation manuals	<a href="#">OM_VT307_OMQ0002EN-C.pdf</a>