

C(D)QSK, Compact Cylinder, Double Acting, Single Rod, Non-rotating CDQSKB16-20D

Datasheet

General series information

- Non-rotating rod
- Bore sizes in mm: 12, 16, 20, 25
- Strokes: 5mm through 50mm depending upon bore size
- Mounts: through hole, both ends tapped, foot, front or rear flanges, double clevis
- Variety of switches and a variety of lead wire lengths



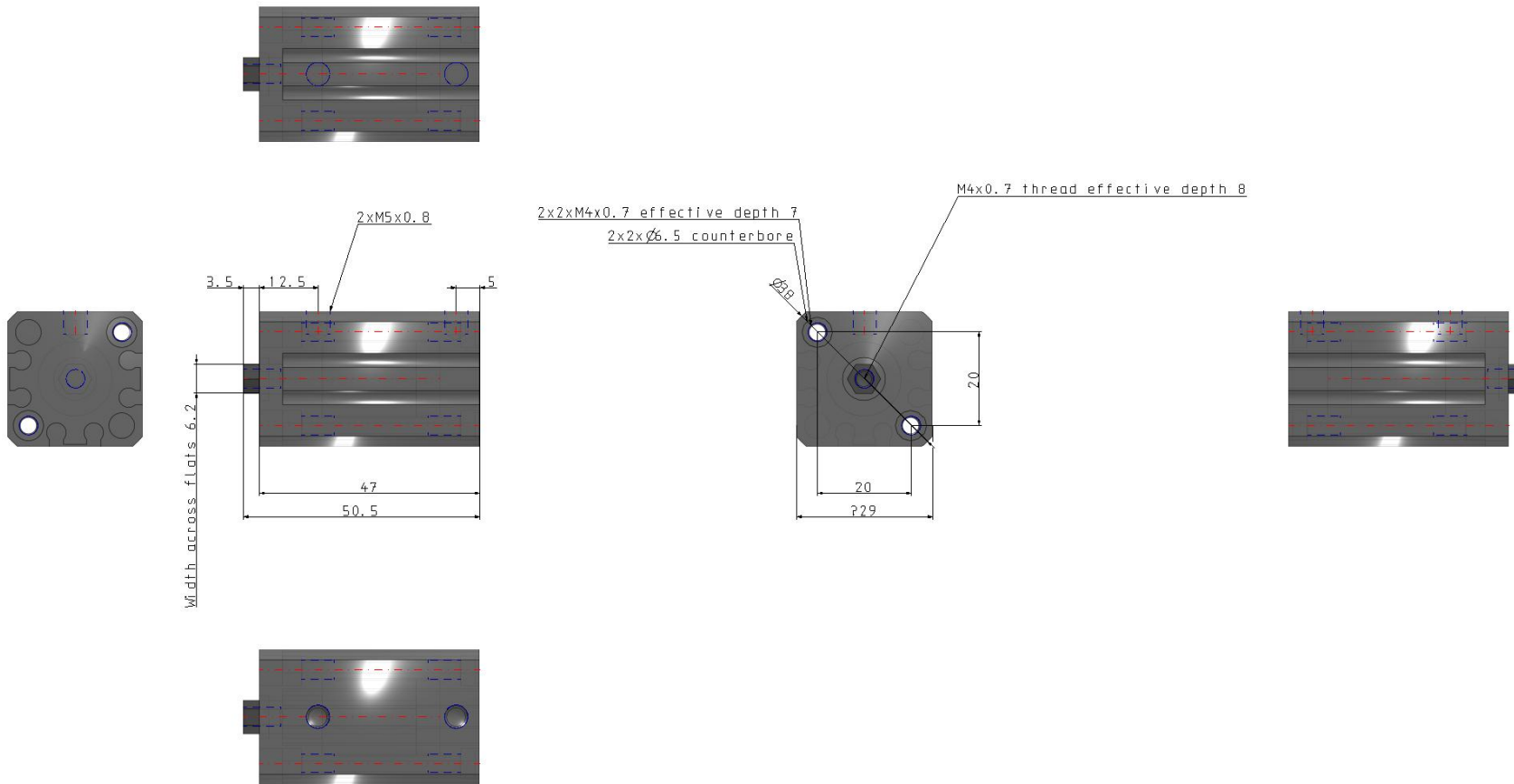
Double-acting cylinder, non-rotating single piston rod

Standard specifications

Magnet	D (Built-in)
Mounting	B (Through Hole, Both Ends Tapped)
Bore Size	16mm
Stroke	20
Option	Standard(Rod End Female Thread)
Auto Switch	No Switch
Lead Wire or Prewired Connector	0.5 m (Or None in the Case of No Switch)
Number	2 pcs. (Or None in the Case of No Switch)
Pressure medium	Air
Maximum temperature of pressure medium	60 °C
Minimum temperature of pressure medium with magnet	-10 °C
Maximum operating pressure	1.0 MPa
Minimum operating pressure	0.07 Mpa
Proof pressure	1.5 MPa
Maximum ambient temperature	60 °C
Minimum ambient temperature with magnet	-10 °C
Number of pneumatic connections	2 pcs.
Pneumatic input connection	M5

Mode of operation of drive	Double acting
Theoretical cylinder force, advance stroke (at 0.5 MPa)	101 N
Theoretical cylinder force, return stroke (at 0.5 MPa)	84 N
Maximum piston speed	500 mm/s
Piston rod end	Internal thread
Geometric form of the piston rod	Hexagonal rod
Male thread of rod end	M6
Female thread of rod end	M4
Minimum piston speed	50 mm/s
Lubrication	Non-lube

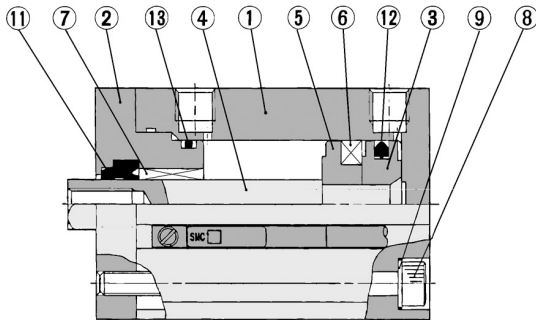
Dimensions



Constructions

Construction

With auto switch (Built-in magnet)
 ø16



Component Parts

No.	Description	Material	Note
1	Cylinder tube	Aluminium alloy	Hard anodised
2	Rod cover	Aluminium alloy	Anodised
3	Piston	Aluminium alloy	Chromated
4	Piston rod	Stainless steel	
5	Switch spacer	Aluminium alloy	Chromated
6	Magnet		
7	Ron rotating guide	Oil impregnated sintered alloy	ø16, ø20 and ø25
8	Hex. socket head cap screw	Alloy steel	Nickel plated
9	Plain washer	Rolled steel	Nickel plated
11	Rod seal	NBR	
12	Piston seal	NBR	
13	Tube gasket	NBR	

Additional information

Catalogue

[CQS_EU.pdf](#)