

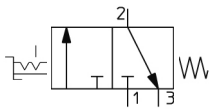
VHK-A, Finger Valve, One-touch Fitting

VHK3A-06F-06FRL

Datasheet

General series information

- 1(P)/2(A) One-touch fitting.

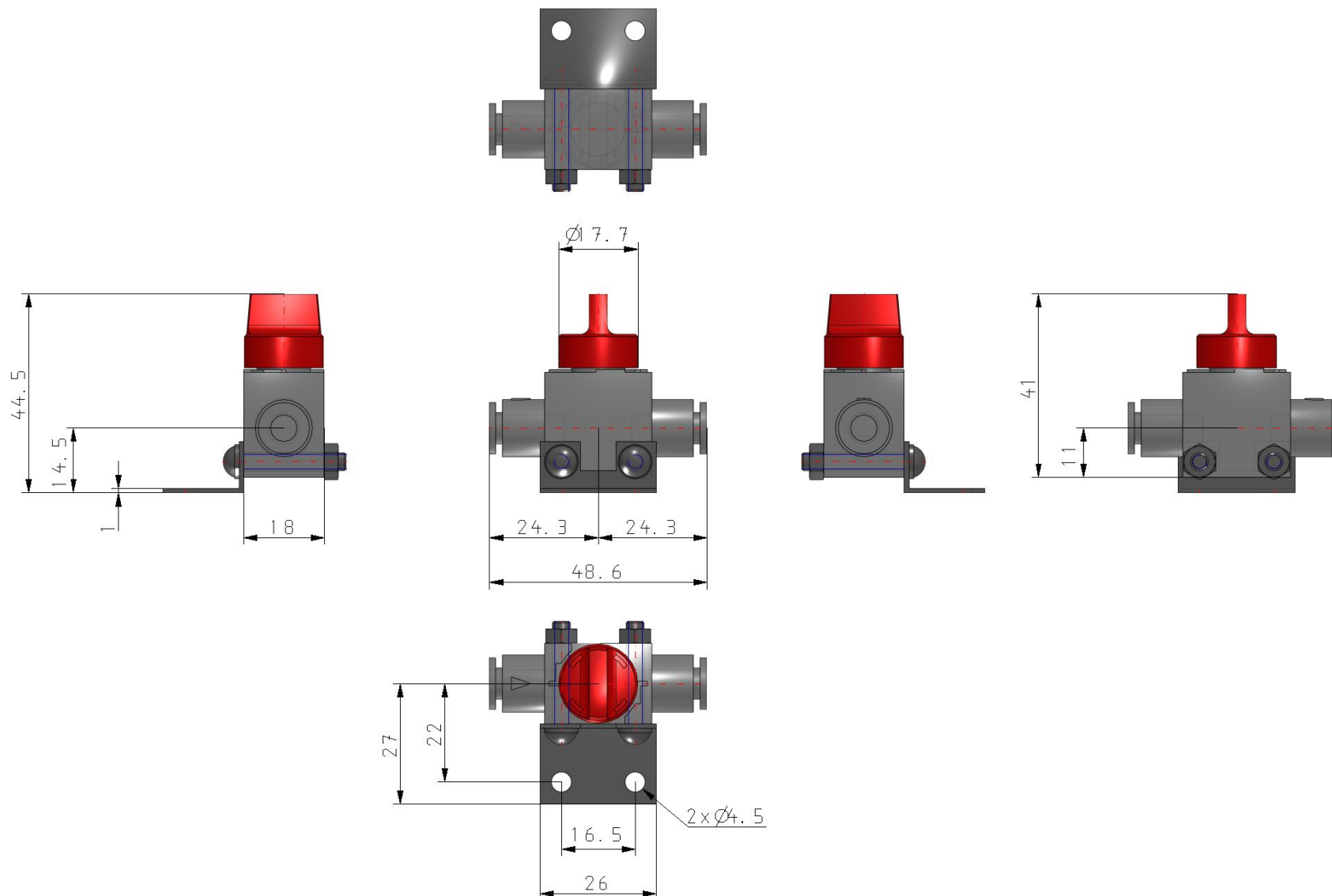


Directional control valve 3/2-way valve, closed normal position return with control mechanism by turning return with mechanical control spring

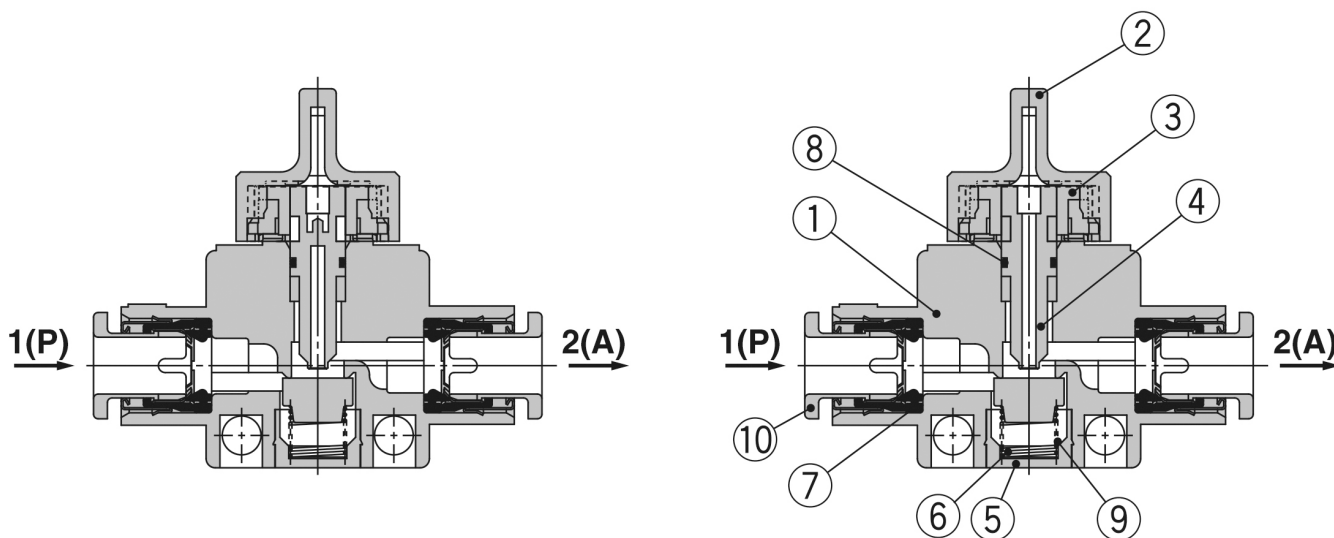
Standard specifications

Valve	3 (3-Port Valve)
1(P) Applicable Tubing O.D.	ø 6
2(A) Applicable Tubing O.D.	ø 6
Knob Colour	R (Red)
Bracket	L (With L-bracket)
Pressure medium	Air
Maximum temperature of pressure medium	60 °C
Minimum temperature of pressure medium	0 °C
Maximum operating pressure	1.0 MPa
Minimum operating pressure	-100 kPa
Proof pressure	1.5 MPa
Maximum ambient temperature	60 °C
Minimum ambient temperature	0 °C
Usable tubing material	Nylon,Soft nylon,Polyurethane
Weight	0.028 Kg

Dimensions



Constructions



No.	Description	Material	Note
1	Body	PBT	
2	Knob	POM	
3	Cam ring	POM	
4	Stem	POM	
5	Spring guide	Brass	Electroless nickel plated
6	Spring	Stainless steel	
7	Seal	NBR	
8	O-ring	NBR	
9	Valve	NBR	
10	Cassette	—	

Additional information

Catalogue

[VHK-Aa_EU.pdf](#)