

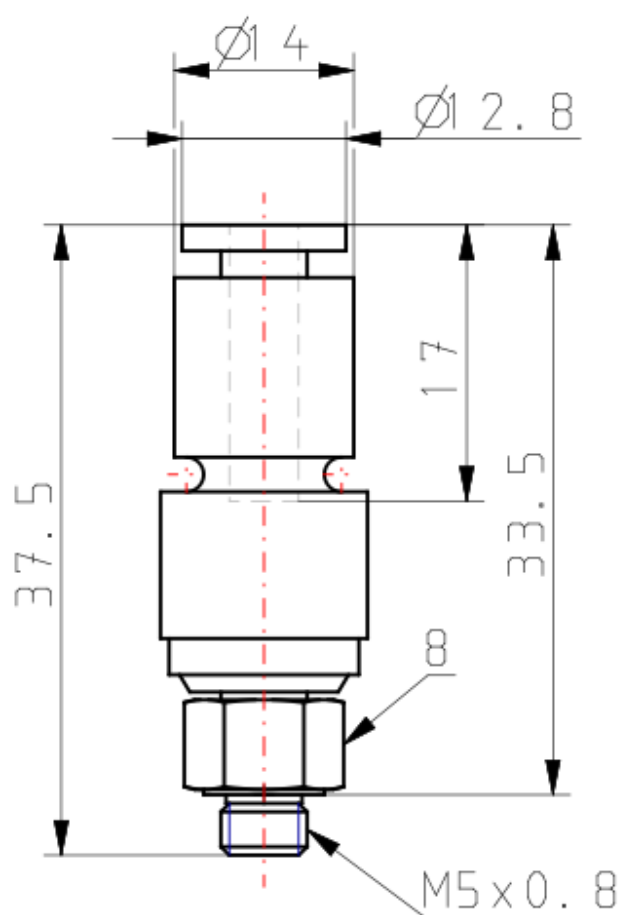
KS, Rotary One-touch Fitting, Metric KSH06-M5

Datasheet

Rotary one-touch fitting series KS comes with a ball race bearing for oscillating or rotating applications. KS series comes in 5 tube sizes ranging from 4 to 12mm. One touch collet includes anti tube rotation mechanism. KS is suitable for copper free applications.

Model	H (Male Connector)
Applicable Tube OD	Ø6 mm
Port Size	M5 (M5X0.8)
Sealant	w/o Sealant
Pressure medium	Air
Maximum ambient temperature	60 °C
Minimum ambient temperature	-5 °C (no Freezing)
Usable tubing material	Nylon, Soft nylon, Polyurethane
Weight	0.012 Kg

Dimensions



Additional information

Catalogue

[KS_KX_EU.pdf](#)