

## VT307, 3 Port Direct Operated Poppet, All Types VT307-5DO1-01F-Q

Datasheet

### General series information

- Wide variety of valve options .
- Low Power Consumption.
- Universal porting type.
- Same mounting dimensions as the current product in both types (body ported and for manifold type).
- Low concentration ozone resistant: HNBR rubber seal.
- RoHS and CE compliant.

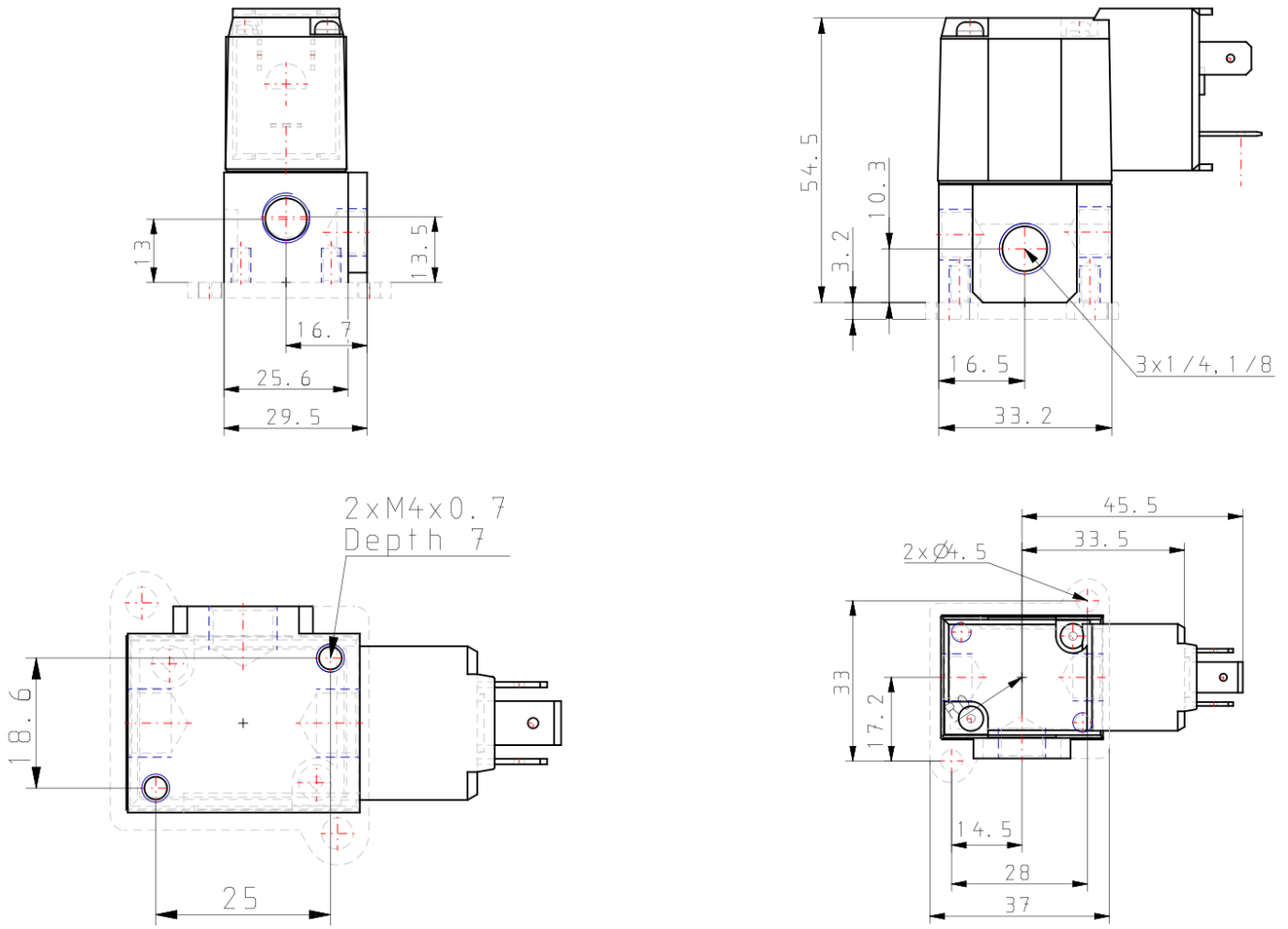
### Standard specifications

Body	T (Body Ported)
Valve specification	Standard
Pressure specifications	Standard Type [0.7 MPa]
Rated Voltage	5 (24V DC)
Electrical Entry	DO (DIN connector [without connector])
Indicator light and surge voltage suppressor	None
Port Size	01 (1/8 [6A])
Thread	F (G [PF])
Option	None
CE Marked	Q (CE Marked)
Pressure medium	Air
Maximum temperature of pressure medium	50 °C
Minimum temperature of pressure medium	-10 °C (No freezing)
Maximum ambient temperature	50 °C
Minimum ambient temperature	-10 °C (No freezing)
Protection class with connector	Dustproof
Function in normal position	Closed

Type of piloting	Directly
Valve return	Mechanical spring
Sealing principle	Soft seal

Specifications are subject to change without prior notice and any obligation on the part of the manufacturer.

## Dimensions



## Additional information

Catalogue	<a href="#">VT_A_EU.pdf</a>
Declaration of conformity	<a href="#">newDoC_VT307N_TF1Y176EN.pdf</a> <a href="#">newDoC_New_VT307_TF1V163EN.pdf</a> <a href="#">DoC_NewVT307_TFQ0001-A.pdf</a>
Installation manuals	<a href="#">IM_VT307_TF2Z546EN.pdf</a>
Operation manuals	<a href="#">OM_NewVT307_OMQ0002EN-B.pdf</a>