

## Metric - KS KSL06-M6

### Datasheet

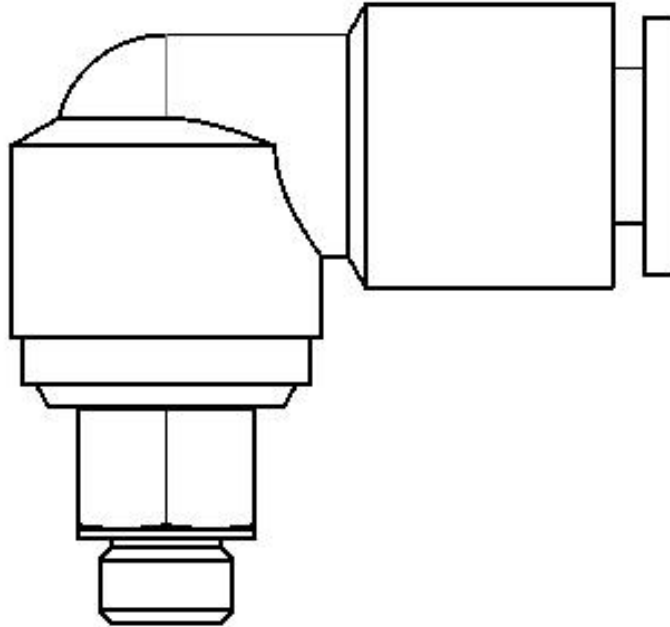
### General series information

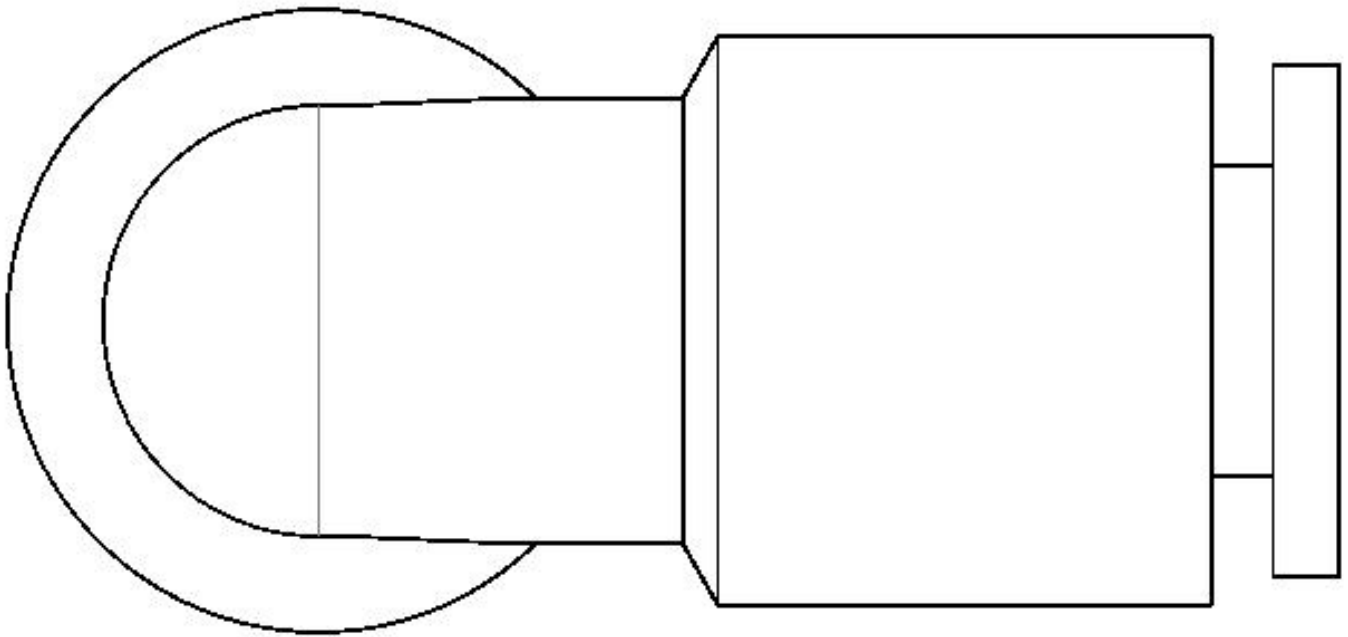
- Rotary, One-touch fitting (standard)
- Metric threads
- Tube OD: Ø4, Ø6, Ø8, Ø10, Ø12
- Maximum operating pressure: 1.0 MPa
- Ambient & fluid temperature: -5 to 60°C

### Standard specifications

Model	L (Male Elbow)
Applicable Tube OD	Ø6 mm
Port Size	M6 (M6X1)
Sealant	w/o Sealant
Pressure medium	Air
Maximum ambient temperature	60 °C
Minimum ambient temperature	-5 °C (no Freezing)
Usable tubing material	Nylon, Soft nylon, Polyurethane
Weight	0.012 Kg

## Dimensions





## Additional information

Catalogue

[KS\\_KX\\_EU.pdf](#)