

RB, Shock Absorber RBC0805

Datasheet

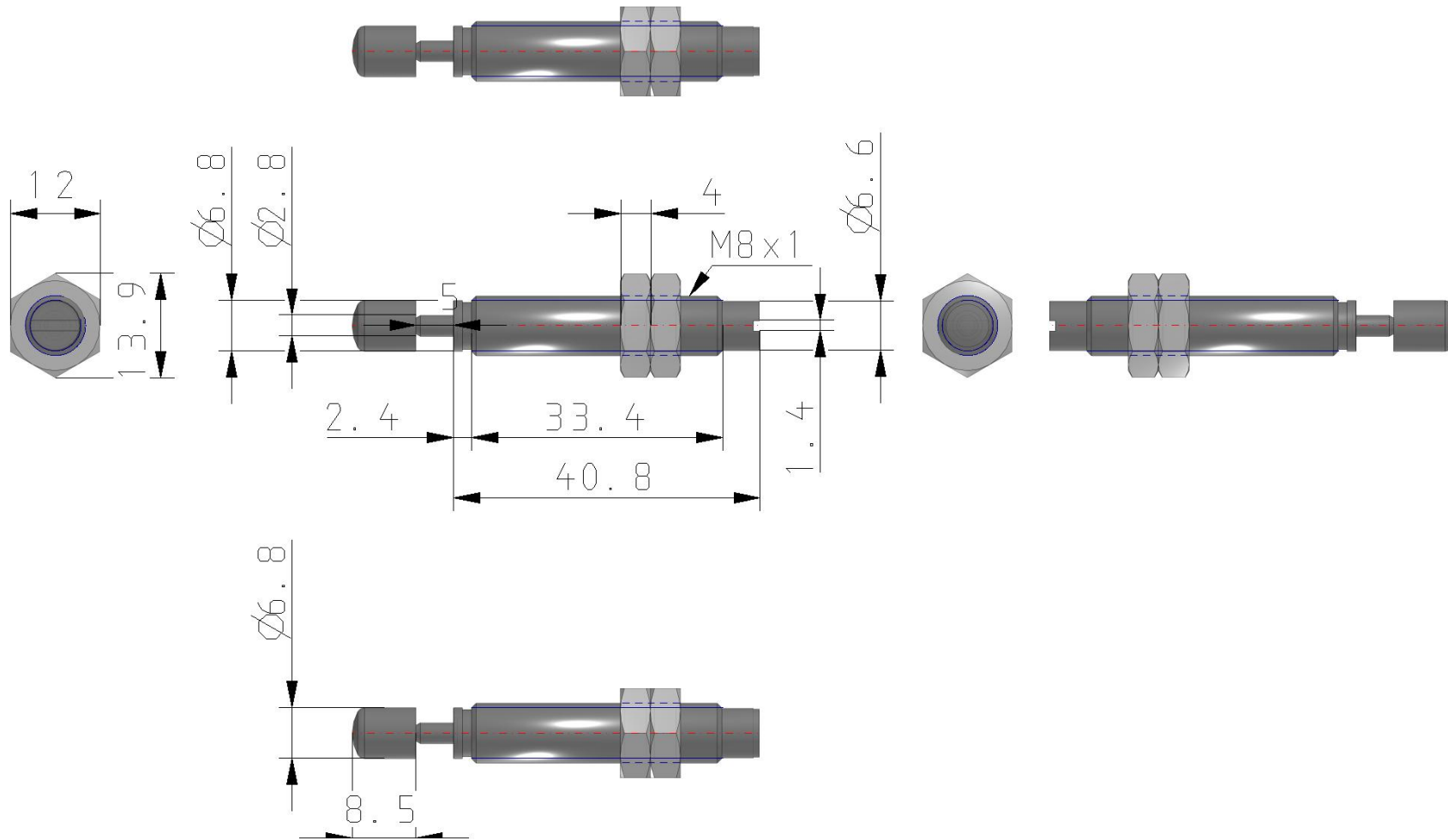
General series information

- Shock absorber type: basic or with cap
- Applicable thread O.D. size: M6, M8, M10, M14, M20, M27
- Option: stopper nut

Standard specifications

| | |
|-------------------------------|---------------------------------|
| Style | Standard |
| With Cap | C (Cap) |
| Port Size | M8XP1.0 |
| Stroke | 5mm |
| Option | Hex Nut: 2 pcs.; No Stopper Nut |
| Construction | 2118_en.jpg |
| Max. Allowable Thrust | 245 N |
| F124- Max-operating-frequency | 80 |
| Max. Absorbed Energy | 0.98 J |
| Operating temperature range | -10 - 80°C |
| Impact speed | 0.05 - 5 m/s |
| Spring_Force_compressed | 3.83 N |
| Spring_Force_extended | 1.96 N |
| Weight | 0.017 Kg |

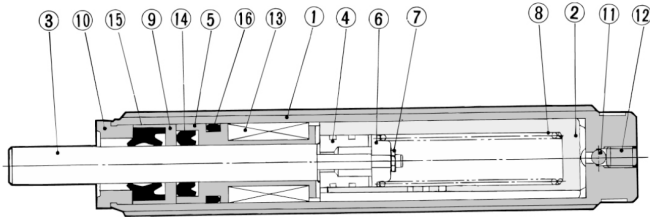
Dimensions



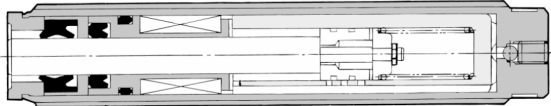
Specifications are subject to change without prior notice and any obligation on the part of the manufacturer.

Constructions

Extended



Compressed



Component Parts

| No. | Description | Material | Note |
|-----|---------------|--------------------------|--------------------|
| ① | Outer tube | Rolled steel | Gray coated |
| ② | Inner tube | Special steel | Heat treatment |
| ③ | Piston rod | Special steel | Hard chrome plated |
| ④ | Piston | Special steel | Heat treatment |
| ⑤ | Bearing | Special bearing material | |
| ⑥ | Spring guide | Rolled steel | Zinc chromated |
| ⑦ | Pushing nut | Steel for spring | |
| ⑧ | Return spring | Piano wire | Zinc chromated |
| ⑨ | Seal holder | Copper alloy | |
| ⑩ | Stopper | Carbon steel | Zinc chromated |
| ⑪ | Steel ball | Bearing steel | |
| ⑫ | Set screw | Special steel | |
| ⑬ | Accumulator | NBR | Foam rubber |
| ⑭ | Rod seal | NBR | |
| ⑮ | Scraper | NBR | |
| ⑯ | Gasket | NBR | |

Additional information

Catalogue

[RB_EU.pdf](#)

Operation manuals

[rb0604e_operation_manual.pdf](#)