

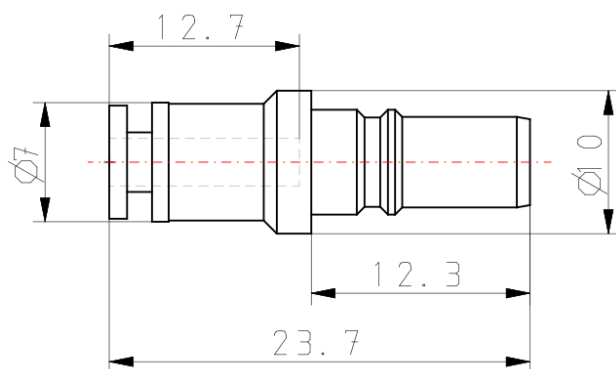
KK*P-*H, S-Couplers, Straight Type with One-touch Fitting KK6P-12H

Datasheet

- S coupler for general purpose with Plug and Socket
- Applicable tubing from Ø 3.2 to Ø 16
- Thread, sizes: M, R, Rc, from M5 to 3/4
- Fluid temperature: -5 to 60 °C, water: 5 to 40 °C
- One-touch fitting type standardized
- With sleeve lock mechanism (Except KK2).

Body Size	6 (1/2)
Applicable Tubing O.D.	Ø12 mm
Pressure medium	Air, Water
Maximum operating pressure	1.0 MPa
Minimum operating pressure	0 kPa
Proof pressure	1.5 MPa
Maximum ambient temperature	60 °C / 40 °C for Water
Minimum ambient temperature	-5 °C (with no freezing) / 5 °C for Water
Effective Area	82 mm ²
Sealing principle	Electroless nickel plated (copper-free application), With male thread sealant
Weight	0.044 Kg

Dimensions



Additional information

Catalogue

[KK-C_EU.pdf](#)