

C(D)Q2, Compact Cylinder, Double Acting, Single Rod w/Auto Switch Mounting Groove CQ2A20-15DM

Datasheet

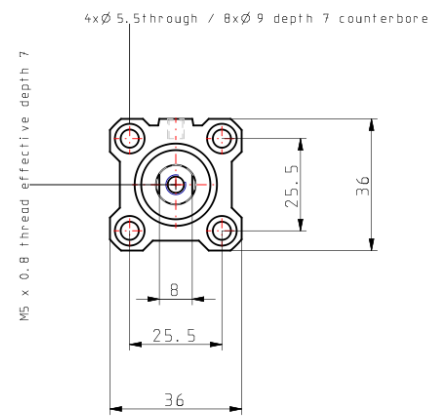
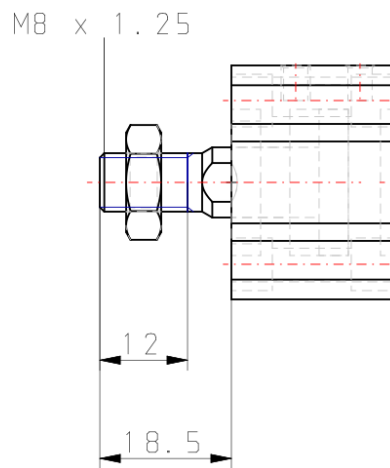
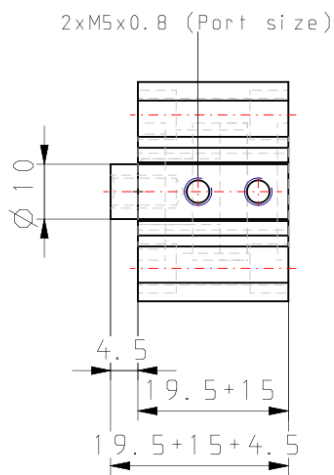
- Double acting, single rod, compact cylinder
- Bore sizes (mm): 12, 16, 20, 25, 32, 40, 50, 63, 80, 100
- Standard stroke range (mm): 5 to 100
- Port threads: M (12 to 25 bore); Rc, NPT or G (32 to 100 bore)
- Can mount small auto switches on 4 surfaces.

Standard specifications

| | |
|---------------------------------|--------------------------------------|
| Magnet | None |
| Mounting | A (Both Ends Tapped) |
| Type | Standard |
| Bore Size | Ø20 mm |
| Port Thread Type | Rc |
| Lube-retainer | Without Stable Lubrication Function |
| Stroke | 15 |
| Body Option | Standard [Rod End Female Thread] |
| Auto Switch Groove | None, also for 12-25 Bore w/o Magnet |
| Mounting Bolt | None |
| Rod End Bracket | None |
| Auto Switch | No Switch |
| Lead Wire or Prewired Connector | M (1 m) |
| Number | 2 pcs. |
| Rod End Options | None |
| Temperature Resistance | None |
| Low Speed | None |
| Made of Stainless Steel | None |
| Fluororubber Seal | None |

| | |
|--------|----------------|
| - | Compressed air |
| Weight | 0.139 Kg |

Dimensions



Additional information

Catalogue

[CQ2-Z-B_EU.pdf](#)