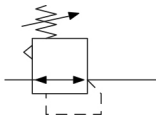


## ARM5S, Regulator Single Unit Type ARM5SB-58-AZ

Datasheet

### General series information

- Small compact manifold regulator, single unit.
- Two mounting style available: Direct mount, DIN rail mount.
- Metric and Inch size IN/OUT Fitting Type.
- Options include with or without pressure gauge, 0.35MPa setting, non-relieving, and unit representation.

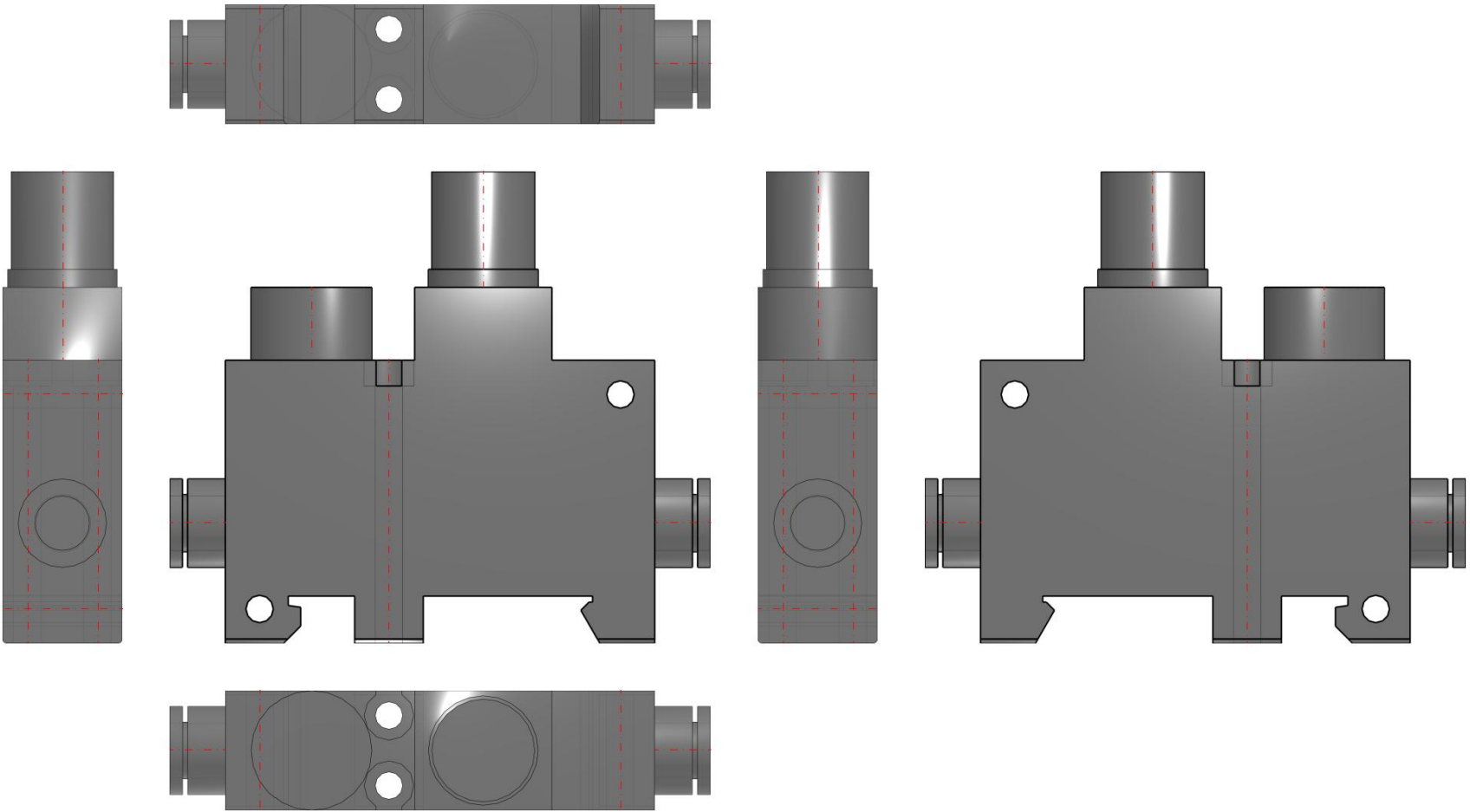


Pressure control valve, relieving pressure regulator, adjustable

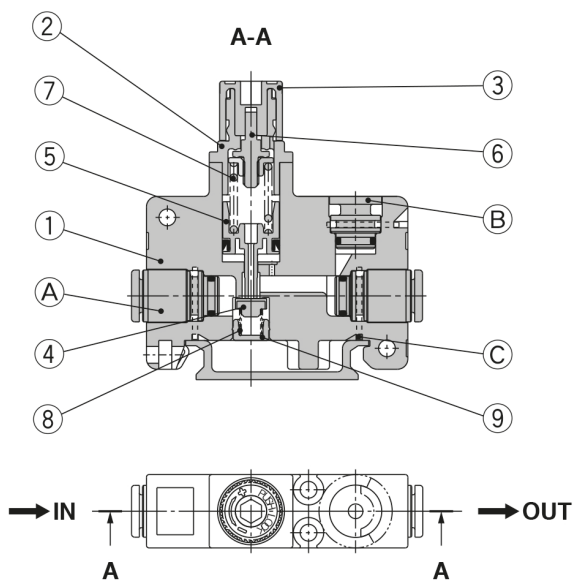
### Standard specifications

Regulator Mounting	B (DIN Rail Mount)
IN/OUT Fitting Type	58 [IN/ø1/4 (Straight) - OUT/ø1/4 (Straight)]
Accessory	A (w/Pressure Gauge)
Options	None
Unit Representation	Z (Display Unit for Product Name Plate and Pressure Gauge: PSI)
Maximum operating pressure	1.0 MPa
Proof pressure	1.5 MPa
Set pressure range	0.05 - 0.7 MPa
Fluid	Air
Regulator construction	Direct acting
Working principle	Piston type
Relief mechanism	Relief type
Backflow function	Built-in (unbalance type)
Ambient and fluid temperature	5 - 60 °C
Weight	0.033 Kg

# Dimensions



## Constructions



## Component Parts

No.	Description	Material
1	<b>Body (for single unit)</b>	PBT
2	<b>Bonnet</b>	PBT
3	<b>Handle</b>	POM
4	<b>Valve</b>	HNBR, Aluminum alloy
5	<b>Piston assembly</b>	POM, NBR
6	<b>Adjusting screw assembly</b>	—
7	<b>Adjusting spring</b>	Stainless steel
8	<b>Valve spring</b>	Stainless steel
9	<b>Valve guide</b>	Brass
10	<b>Clip</b>	Stainless steel

No.	Description	Material
A	<b>Fitting assembly</b>	—
B	<b>Port plug</b>	PBT, HNBR
C	<b>Clip</b>	Stainless steel

## Additional information

Catalogue

[ARM5\\_EU.pdf](#)

Operation manuals

[arm5\\_op\\_manual\\_ar\\_-omj0032.pdf](#)