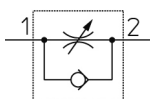


Standard (Metric Size) - AS*2F AS2002F-04

Datasheet

General series information

- Applicable Tubing O.D.: Ø 2 to Ø 12 mm
- Operating Pressure Range: 0.1 to 1 MPa.

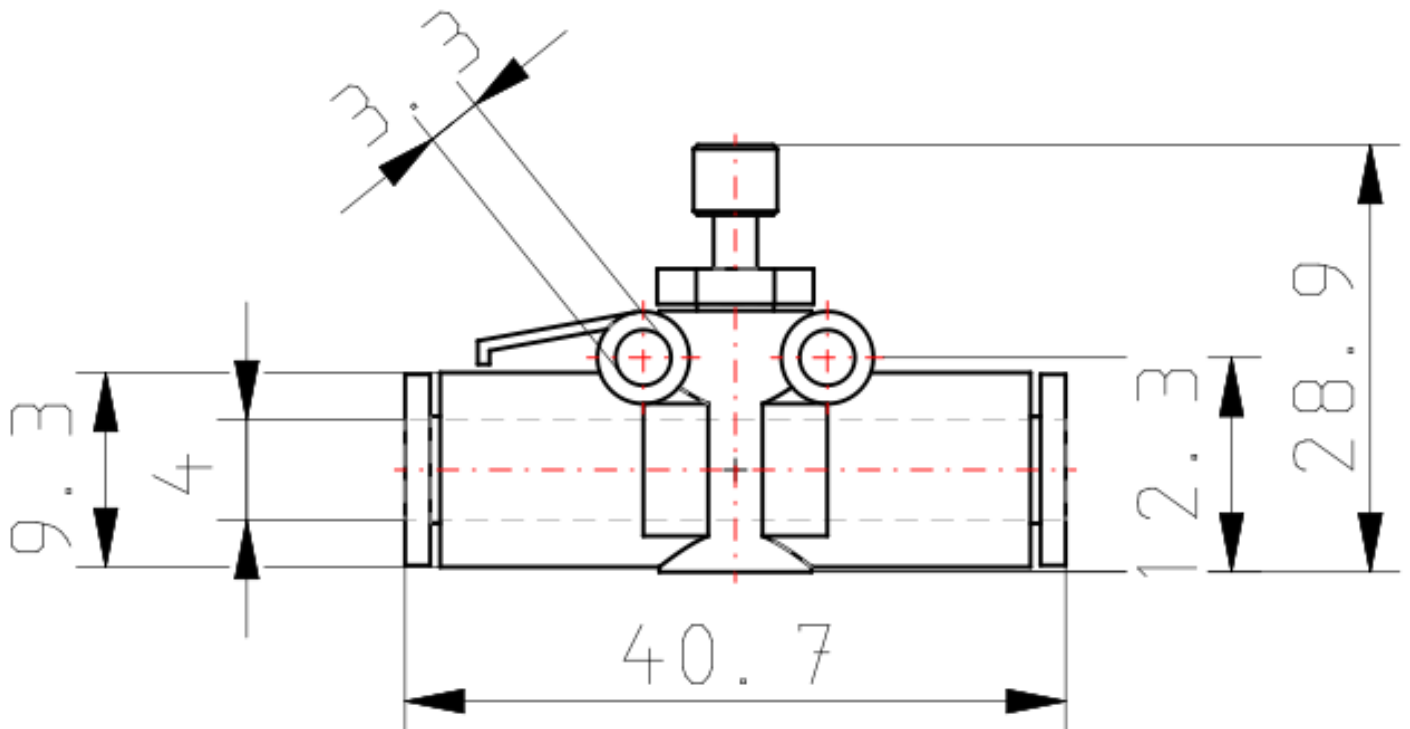


Flow control valve, adjustable, with reverse free flow

Standard specifications

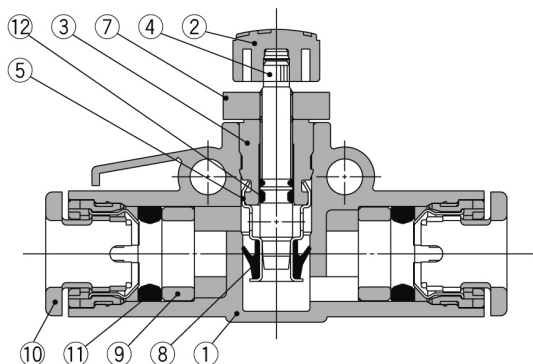
| | |
|--|---------------------------------|
| Body Size | 200 (1/8 Standard) |
| Applicable Tube O.D. | 04 (ø4) |
| Fixed Orifice | None |
| Option | None |
| Lock Nut | Standard (Hexagon) |
| Pressure medium | Compressed air |
| Maximum temperature of pressure medium | 60 °C |
| Minimum temperature of pressure medium | -5 °C [without condensation] |
| Maximum operating pressure | 1.0 MPa |
| Minimum operating pressure | 0.1 MPa |
| Proof pressure | 1.5 MPa |
| Maximum ambient temperature | 60 °C |
| Minimum ambient temperature | -5 °C |
| Number of pneumatic connections | 2 pcs. |
| Pneumatic input connection | Ø 4 mm |
| Pneumatic output connection | Ø 4 mm |
| Function of Flow control valve | Throttle valve |
| Usable tubing material | Nylon; Polyurethane; Soft Nylon |
| Weight | 0.008 Kg |

Dimensions



Constructions

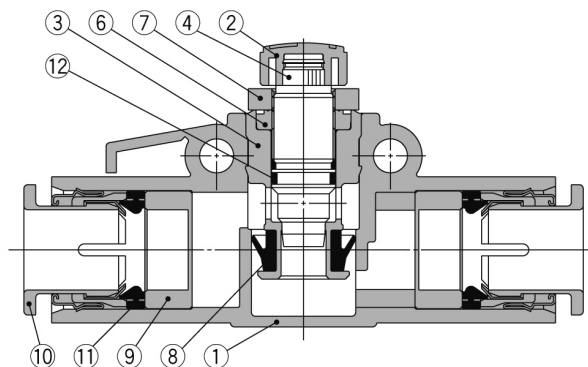
AS1002F, AS2002F, AS2052F



Component Parts

| No. | Description | Material | Note |
|-----|--------------|----------|---------------------------|
| 1 | Body A | PBT | |
| 2 | Handle | PBT | |
| 3 | Body B | Brass | Electroless nickel plated |
| 4 | Needle | Brass | Electroless nickel plated |
| 5 | Seat ring | Brass | Electroless nickel plated |
| 6 | Needle guide | Brass | Electroless nickel plated |

AS1002F-02, AS3002F, AS4002F



| No. | Description | Material | Note |
|-----|-------------|----------------------|----------------|
| 7 | Lock nut | Steel wire | Zinc chromated |
| 8 | U-seal | HNBR | |
| 9 | Spacer | POM ^{Note)} | |
| 10 | Cassette | — | |
| 11 | Seal | NBR | |
| 12 | O-ring | NBR | |

Note) AS2052F, AS3002F, AS4002F are made of PBT. AS3002F-11, AS4002F-11, AS4002F-13 are made of electroless nickel plated brass.

Additional information

Catalogue

[AS1002F-4002F-A_EU.pdf](#)