

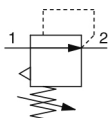
## ARM10F, Single Regulator, Front Handle Type

### ARM10F2-08BG

Datasheet

### General series information

- Manifold regulator, front handle type
- IN/OUT fitting type: straight & elbow (metric & inch)
- IN/OUT piping position: bottom, top
- Accessories: bracket, pressure gauge, panel nut, cover
- Options: 0.35MPa setting, non-relieving, oil free

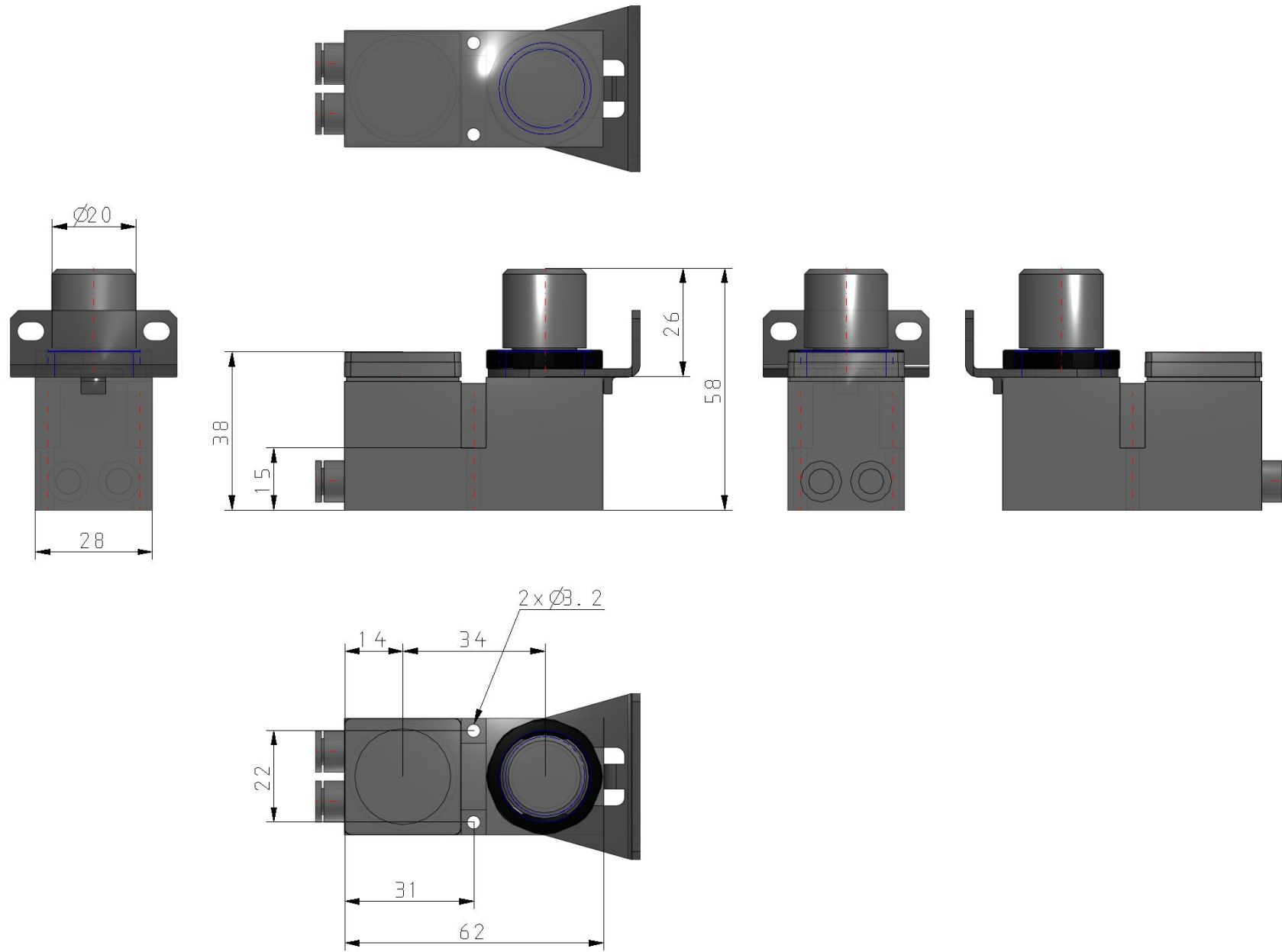


Pressure control valve, relieving pressure regulator, adjustable

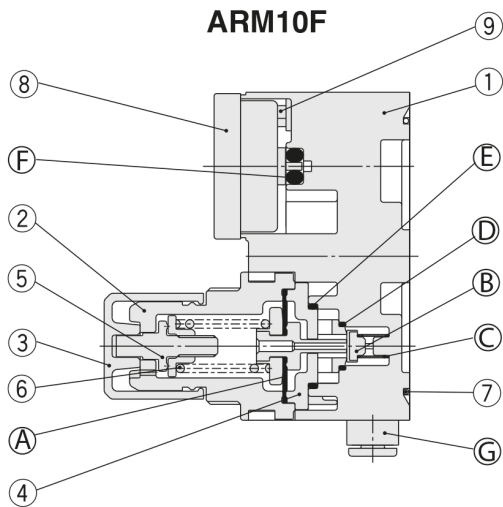
### Standard specifications

Piping	2 (IN:Top/OUT:Top)
Fitting	08 (IN: Ø6 Straight, OUT: Ø6 Straight)
Accessory	BG (B + G)
Option	None
Unit	Name Plate, Pressure Gauge MPa
Digital Pressure Switch Output Specifications	None
Maximum operating pressure	1.0 MPa
Proof pressure	1.5 MPa
Set pressure range	0.05 - 0.7 MPa
Fluid	Air
Regulator construction	Direct acting
Working principle	Diaphragm regulator
Relief mechanism	Relief type
Backflow function	Within (unbalance type)
Ambient and fluid temperature	5 - 60 °C
Weight	0.100 Kg

# Dimensions



## Constructions



### Component Parts

No.	Description	Material
1	<b>Body</b>	PBT
2	<b>Bonnet</b>	PBT
3	<b>Handle</b>	POM
4	<b>Valve seat</b>	POM
5	<b>Adjusting screw assembly</b>	Reinforced steel
6	<b>Adjustment spring</b>	Steel wire
7	<b>Regulator clip</b>	Stainless steel
8	<b>Blanking plate assembly</b>	—
9	<b>Square nut</b>	Steel

No.	Description	Material	Note
A	<b>Diaphragm assembly</b>	Weatherproof NBR, POM	Relieving type
			Non-relieving type
B	<b>Valve</b>	HNBR, Aluminum alloy	
C	<b>Valve spring</b>	Stainless steel	
D	<b>O-ring</b>	NBR HNBR	Standard model
			Oil-free specification
E	<b>O-ring</b>	NBR HNBR	Standard model
			Oil-free specification
F	<b>O-ring</b>	NBR HNBR NBR HNBR	Standard model
			Oil-free specification
			Standard model for digital pressure switch
			Oil-free spec. for digital pressure switch
G	<b>Fitting assembly</b>	—	

## Additional information

Catalogue

[ARM10-11\\_EU.pdf](#)

Operation manuals

[arm10\\_11\\_op\\_man\\_ar\\_-omg0039-a.pdf](#)