

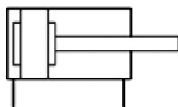
CXS-A, Dual Rod Cylinder with Air Cushion

CXSM25TF-50A

Datasheet

General series information

- Dual rod cylinder with air cushion
- Slide bearing or ball bushing bearing
- Bore sizes: 20mm, 25mm, 32mm
- Standard strokes: 20-100mm
- Thread types: M, Rc, NPT, G
- Auto switches available



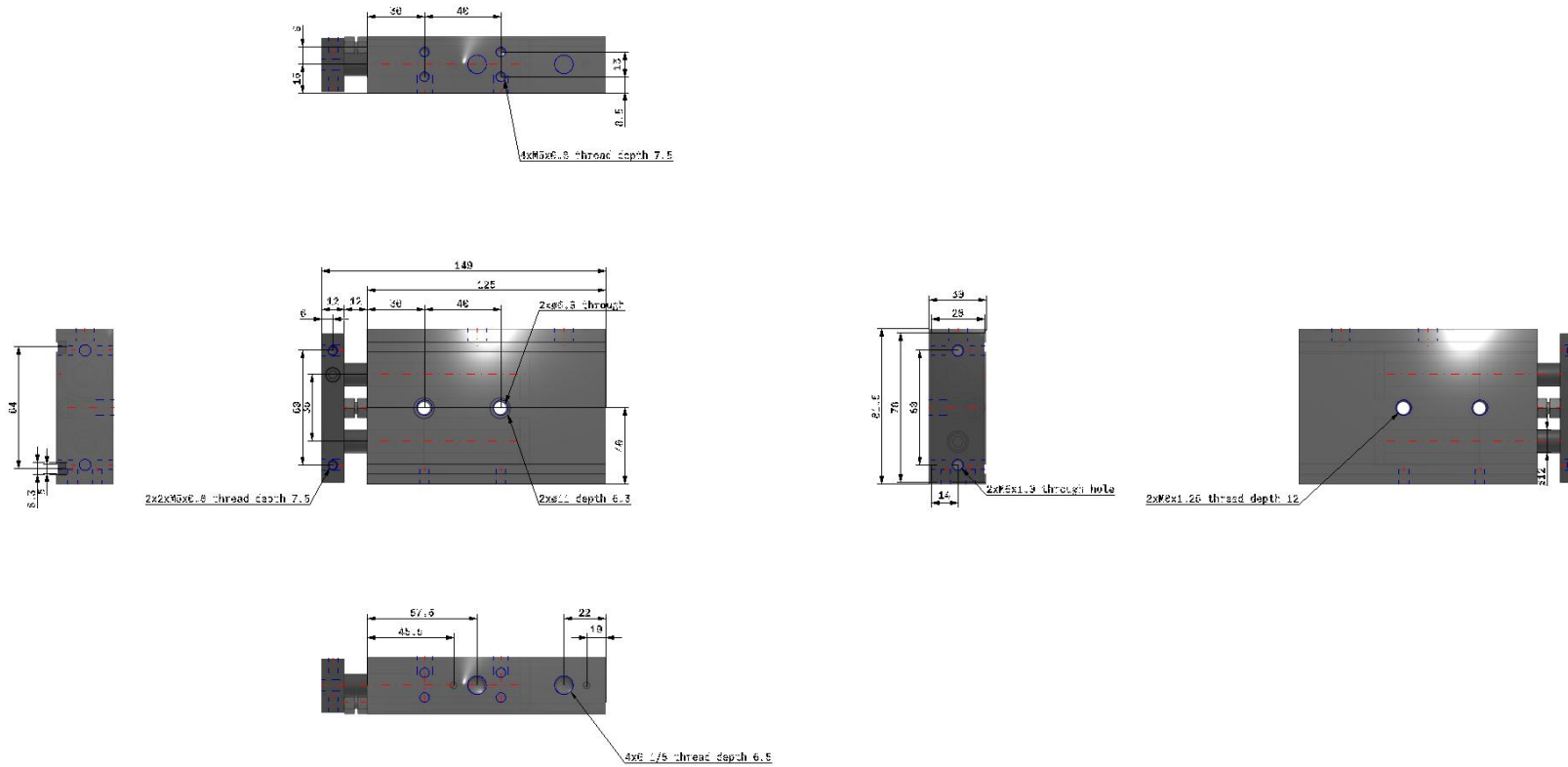
Double-Acting Cylinder, Cushioned

Standard specifications

Bearing Style	M (Slide Bearing)
Bore Size	25 mm
Thread	TN (ø25,ø32 Bore: NPT 1/8)
Stroke	50 mm
Auto Switch	No Switch
Number	2 pcs. [Or None in the Case of No Switch]
Pressure medium	Compressed Air
Maximum temperature of pressure medium with magnet	60 °C
Minimum temperature of pressure medium with magnet	-10 °C [without condensation]
Maximum operating pressure	0.7 MPa
Minimum operating pressure	0.1 MPa
Proof pressure	1.05 MPa
Maximum ambient temperature	60 °C
Maximum ambient temperature with magnet	60 °C
Minimum ambient temperature	-10° C
Minimum ambient temperature with magnet	-10 °C
Number of pneumatic connections	2 pcs.

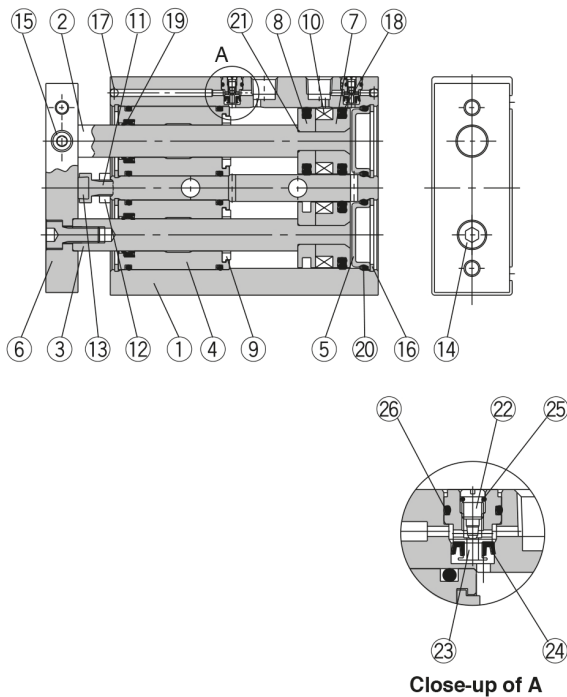
Mode of operation of drive	Double acting
Type of cushioning	Air cushion (both sides)
Port size	Rc 1/8 (NPT 1/8, G 1/8)
Piston speed	50 -1000 mm/s

Dimensions



Constructions

CXSM with air cushion



CXSM: Parts list

No.	Description	Material	Note
1	Housing	Aluminum alloy	Hard anodized
2	Piston rod A	Carbon steel	Hard chrome plated
3	Piston rod B	Carbon steel	Hard chrome plated
4	Rod cover/Bearing	Aluminum alloy	
5	Head cover	Special steel	Electroless nickel plated
6	Plate	Aluminum alloy	Glossy, self-coloring hard anodized
7	Piston A	Aluminum alloy	Chromated
8	Piston B	Aluminum alloy	Chromated
9	Bumper B	Polyurethane	
10	Magnet	Magnetic material	
11	Bumper bolt	Carbon steel	Nickel plated
12	Hexagon nut	Carbon steel	Nickel plated
13	Bumper	Polyurethane	
14	Hexagon socket head cap screw	Chromium steel	Nickel plated
15	Hexagon socket head set screw	Chromium steel	Nickel plated
16	Snap ring	Special steel	Nickel plated
17	Steel ball	Special steel	Nickel plated
18	Piston seal	NBR	
19	Rod seal	NBR	
20	O-ring	NBR	
21	O-ring	NBR	
22	Cushion needle	Stainless steel	
23	Check seal retainer	Copper alloy	
24	Check seal	NBR	
25	Needle gasket	NBR	
26	Check gasket	NBR	

CXSL: Parts list

No.	Description	Material	Note
1	Housing	Aluminum alloy	Hard anodized
2	Piston rod A	Special steel	Hard chrome plated
3	Piston rod B	Special steel	Hard chrome plated
4	Rod cover/Bearing	Aluminum alloy	
5	Ball bushing	—	
6	Bumper holder	Synthetic resin	
7	Head cover	Special steel	Electroless nickel plated
8	Plate	Aluminum alloy	Glossy, self-coloring hard anodized
9	Piston A	Aluminum alloy	Chromated
10	Piston B	Aluminum alloy	Chromated
11	Bumper B	Polyurethane	
12	Magnet	Magnetic material	
13	Bumper bolt	Carbon steel	Nickel plated
14	Hexagon nut	Carbon steel	Nickel plated
15	Bumper	Polyurethane	
16	Hexagon socket head cap screw	Chromium steel	Nickel plated
17	Hexagon socket head set screw	Chromium steel	Nickel plated
18	Snap ring	Stainless steel	Nickel plated
19	Steel ball	Stainless steel	Nickel plated
20	Piston seal	NBR	
21	Rod seal	NBR	
22	O-ring	NBR	
23	O-ring	NBR	
24	Cushion needle	Stainless steel	
25	Check seal retainer	Copper alloy	
26	Check seal	NBR	
27	Needle gasket	NBR	
28	Check gasket	NBR	

Additional information

Catalogue

[CXS_EU.pdf](#)