

## CJP, Pin Cylinder, Single Acting, Spring Return CJPS15-10

Datasheet

### General series information

- Single acting, spring return, pin cylinder
- Compact design-minimizes mounting space
- Three bore sizes available
- Strokes from 5mm to 15mm available
- Two mounting styles available

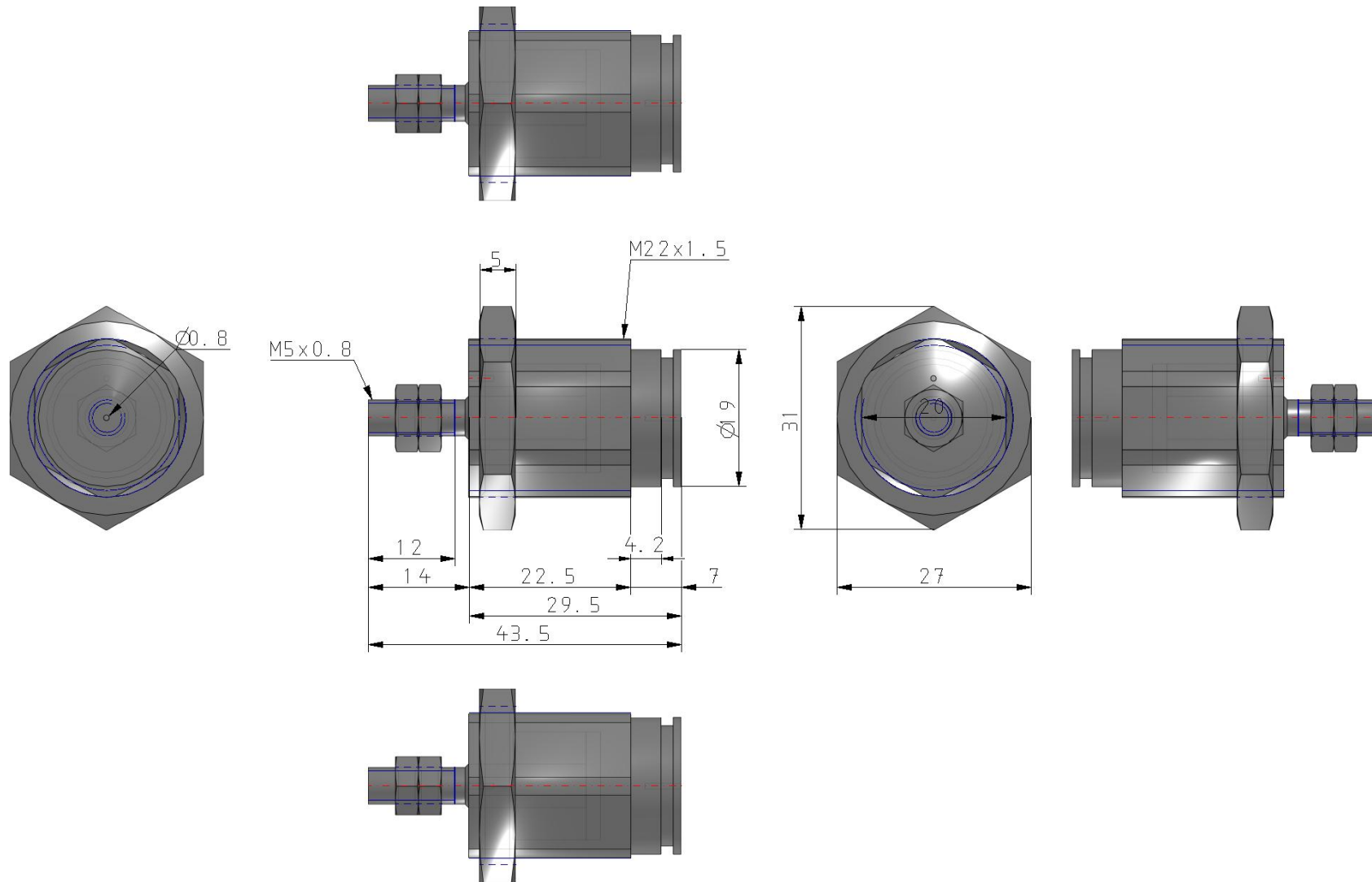


Single-acting cylinder, single piston rod, return stroke by spring

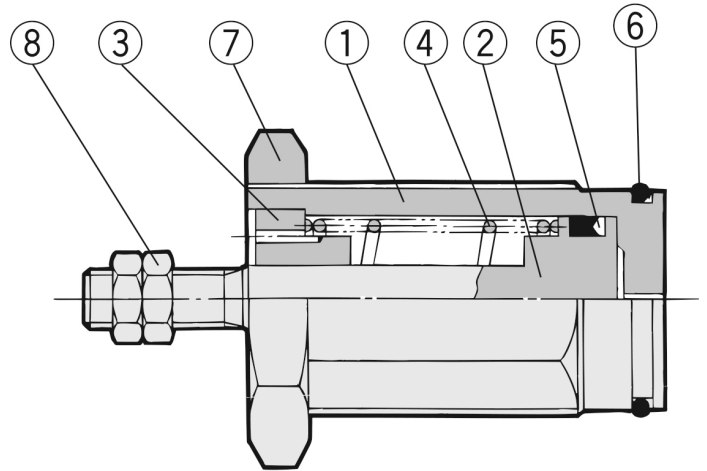
### Standard specifications

Mounting	S (Embedded Type)
Bore Size	15 mm
Stroke	10 mm
Hose Nipple	None
Rod End Thread	Thread
Maximum operating pressure	0.7 Mpa
Minimum operating pressure	0.15 MPa
Proof pressure	1.05 MPa
Type of cushioning	None
Lubrication	Not required (non-lube)
Ambient and fluid temperature	-10 - 70°C
Stroke length tolerance	+1.0 0
Thread Tolerance	JIS class 2
Piston speed	50 - 500 mm/s
Action	Single acting, spring return
Accessory (Standard equipment)	Mounting nut (1) Gasket (1) Rod end nut (2)

# Dimensions



## Constructions



### Component Parts

No.	Description	Material	Note	
1	<b>Cover</b>	Brass	Electroless nickel plated	
2	<b>Piston</b>	Stainless steel		
3	<b>Collar</b>	Oil-impregnated sintered alloy	ø4	Brass + Electroless nickel plated
			ø6, ø10	Bronze
4	<b>Return spring</b>	Steel wire	Zinc chromated	
5	<b>Piston seal</b>	NBR		
6	<b>Gasket</b>	NBR	Special product (O-ring) embedded type only	
7	<b>Mounting nut</b>	Brass	Electroless nickel plated	
8	<b>Rod end nut</b>	Steel	Nickel plated	

## Additional information

Catalogue	<a href="#">CJP2-CJP_EU.pdf</a>
Operation manuals	<a href="#">cjp_cjp_-om0002c-a.pdf</a>