

C(D)Q2, Compact Cylinder, Double Acting, Single Rod w/Auto Switch Mounting Groove CQ2B12-10DCM

Datasheet

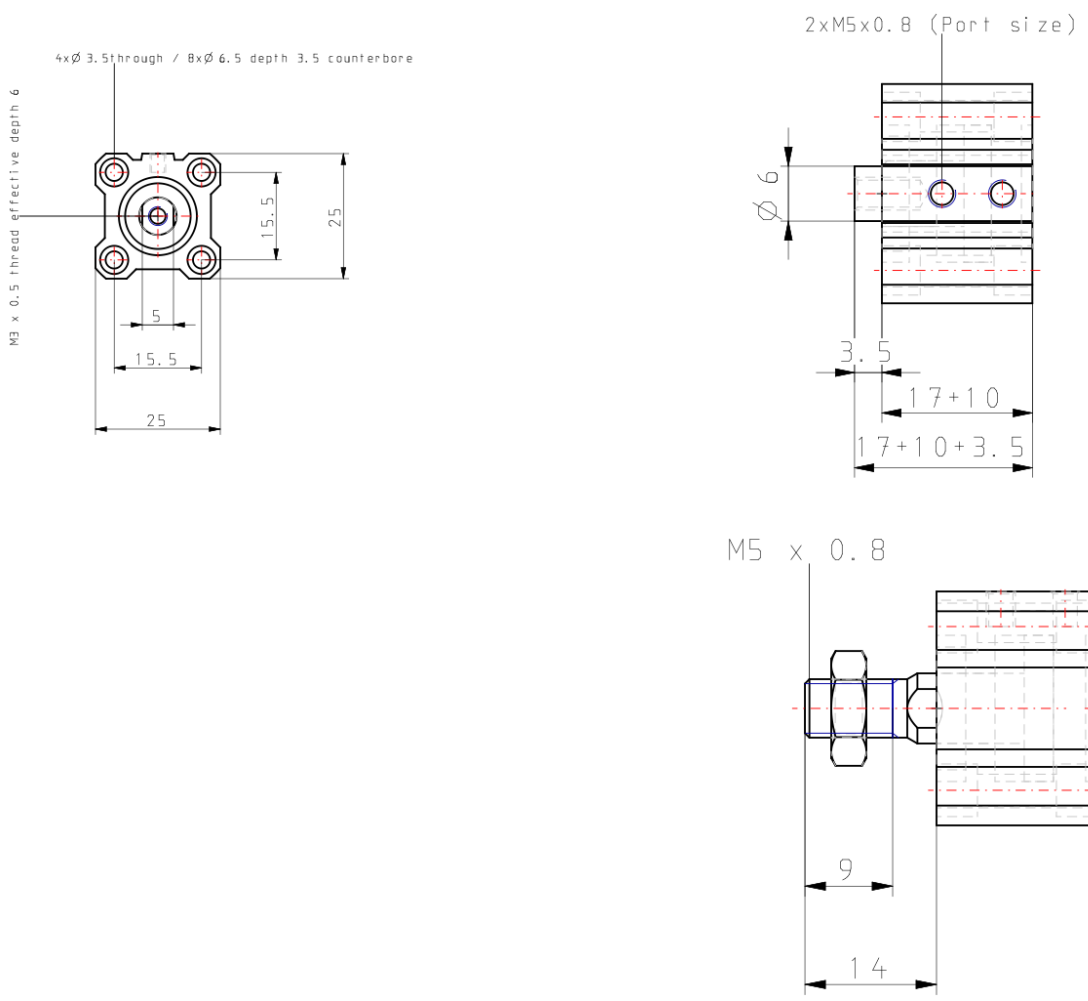
- Double acting, single rod, compact cylinder
- Bore sizes (mm): 12, 16, 20, 25, 32, 40, 50, 63, 80, 100
- Standard stroke range (mm): 5 to 100
- Port threads: M (12 to 25 bore); Rc, NPT or G (32 to 100 bore)
- Can mount small auto switches on 4 surfaces.

Standard specifications

| | |
|---------------------------------|--------------------------------------|
| Magnet | None |
| Mounting | B (Through Hole [Standard]) |
| Type | Standard |
| Bore Size | Ø12 mm |
| Port Thread Type | Rc |
| Lube-retainer | Without Stable Lubrication Function |
| Stroke | 10 |
| Body Option | C [Rubber Bumper] |
| Auto Switch Groove | None, also for 12-25 Bore w/o Magnet |
| Mounting Bolt | None |
| Rod End Bracket | None |
| Auto Switch | No Switch |
| Lead Wire or Prewired Connector | M (1 m) |
| Number | 2 pcs. |
| Rod End Options | None |
| Temperature Resistance | None |
| Low Speed | None |
| Made of Stainless Steel | None |
| Fluororubber Seal | None |

| | |
|----------------------------------|----------------|
| Pressure medium | Compressed air |
| Number of pneumatic connections | 2 pcs. |
| Mode of operation of drive | Double acting |
| Geometric form of the piston rod | Single rod |
| Weight | 0.037 Kg |

Dimensions



Specifications are subject to change without prior notice and any obligation on the part of the manufacturer.

Additional information

Catalogue

[CQ2-Z-B_EU.pdf](#)