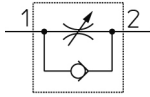


All Metal Exterior, Elbow - ASB ASB1201-M5-06B

Datasheet

General series information

- Environments with welding spatter, dust and ultraviolet radiation
- Port Size: M5, 10-32 UNF, 1/8, 1/4, 3/8, 1/2
- Applicable Tubing O.D.: Ø 4 to Ø 12 mm and Ø 5/32" to Ø 1/2"
- Operating Pressure Range: 0.1 to 1 MPa.

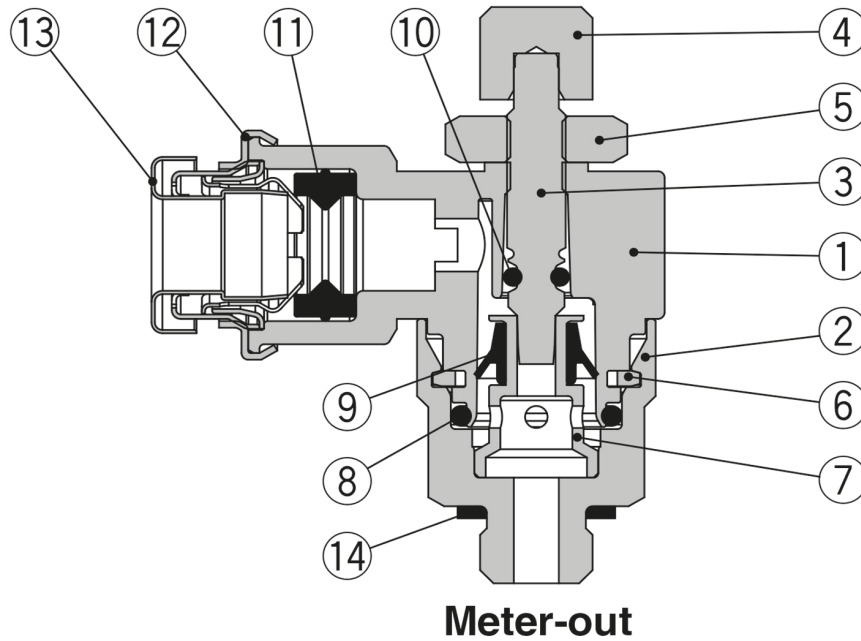


Flow control valve, adjustable, with reverse free flow

Standard specifications

Body Size	1 (M5 x 0.8, 10-32UNF)
Control Type	0 (Meter-out)
Thread Type	R
Port Size	M5 (M5 x 0.8)
Applicable Tubing O.D.	06 (ø6)
Seal Method	w/o Sealant
Option	B (None)
Lock Nut	Hexagon Lock Nut
Pressure medium	Air
Maximum operating pressure	1 MPa
Minimum operating pressure	0.1 MPa
Proof pressure	1.5 MPa
Maximum ambient temperature	60 °C
Minimum ambient temperature	-5 °C
Applicable tubing material	FEP, PFA, Nylon, Soft nylon, Polyurethane, Polyolefin
Weight	0.015 Kg

Constructions



Component Parts

No.	Description	Material	Note	
1	Body A	Zinc alloy		
2	Body B	Brass	Electroless nickel plating*1	
3	Needle	Brass	Electroless nickel plating*1	
4	Knob	Brass	Electroless nickel plating*1	
5	Lock nut	Brass	Meter-out	Electroless nickel
			Meter-in	Black zinc chromate
6	C-ring	Stainless steel		
7	Seat ring	Brass	Electroless nickel plating	
8	O-ring	NBR		
9	U-seal	HNBR		
10	O-ring	NBR		
11	Seal	FKM		
12	Cover	Stainless steel		
13	Cassette	Stainless steel		
14	Gasket	Stainless steel/	M5, U10/32 type	

*1 Option B specifies the body without electroless nickel plating.

Additional information

Catalogue

[ASB_EU.pdf](#)

Operation manuals

[OM_ASB_OMZ0085EN-C.pdf](#)