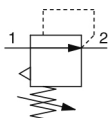


IR1000/2000/3000, Precision Regulator IR3120-F04

Datasheet

General series information

- Precision regulator
- Regulating pressure range (MPa): 0.005 to 0.8 depending on model
- Compact and lightweight
- Bracket & pressure gauge can be mounted on either the front or back
- 2 air operated models.



Pressure control valve, relieving pressure regulator, adjustable

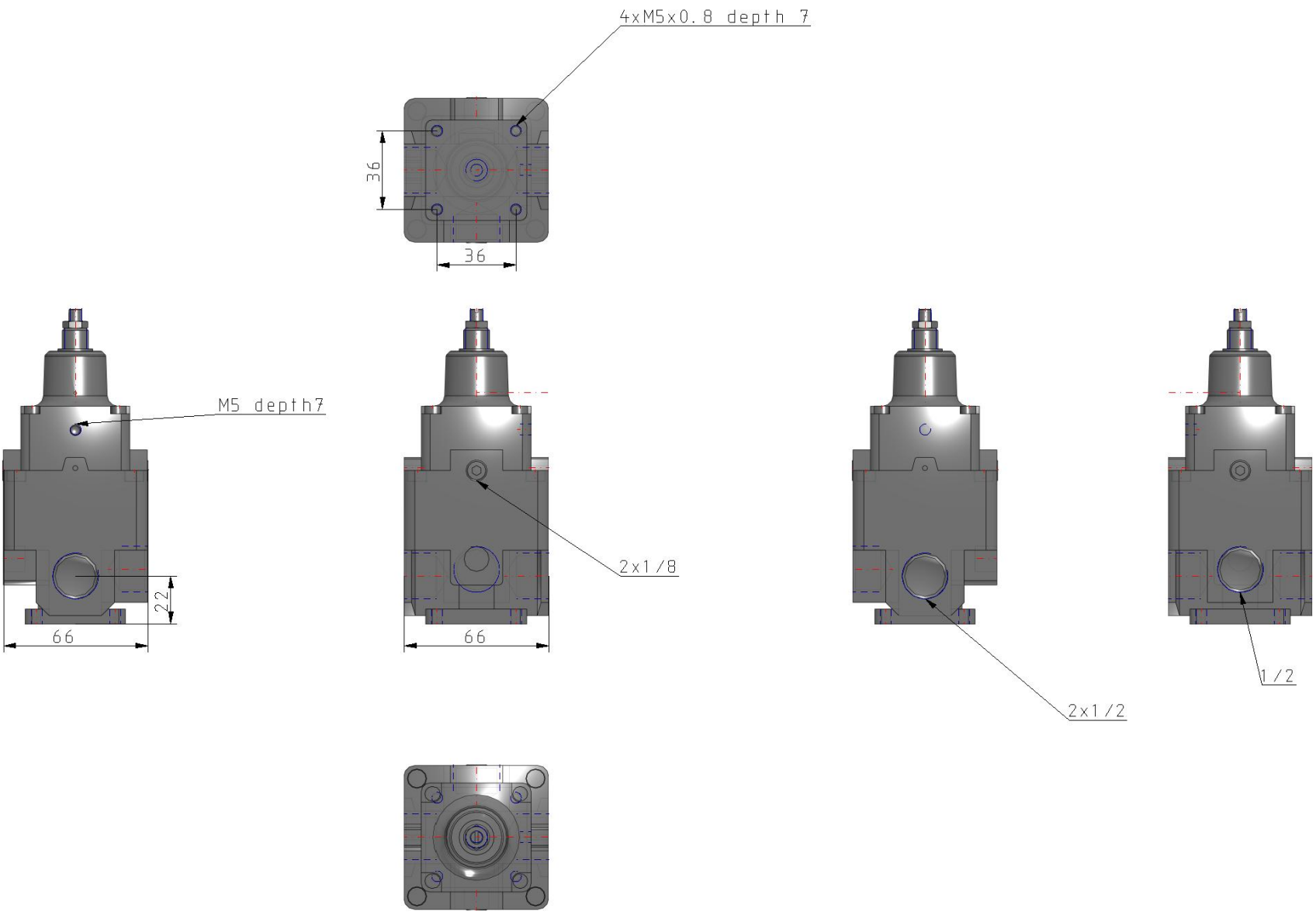
Standard specifications

Body Size	3 (IR3000)
Type of Setting	1 (Air Operated [Series IR2000/IR3000 Only])
Set Pressure	2 (0.01~0.8MPa [IR1000/2000] or 0.01~0.8MPa [IR3000])
Thread	F [G(PF)]
Port Size	04 (1/2 [IR3000 Only])
Accessory	None
Suffix 1	Standard
Suffix 2	None
Made to Order	None
Switch Specifications	None
Pressure medium	Air
Maximum temperature of pressure medium	60 °C
Minimum temperature of pressure medium	-5 °C [with no freezing]
Maximum operating pressure	1.0 MPa
Minimum operating pressure	+0.1 Mpa
Maximum ambient temperature	60 °C
Maximum ambient temperature with magnet	-5 °C [with no freezing]
Approvals	No need

Sensitivity	Within 0.2% of full span
Repeatability	Within 0.5% of full span
Set pressure range	0.01 - 0.8 MPa
Linearity	Within 1% of full span
Air consumption (At supply pressure of 1.0 MPa)	11.5 l/min (ANR) or less
Input signal pressure	0.01 - 0.8 Mpa
Weight	0.710 Kg

Specifications are subject to change without prior notice and any obligation on the part of the manufacturer.

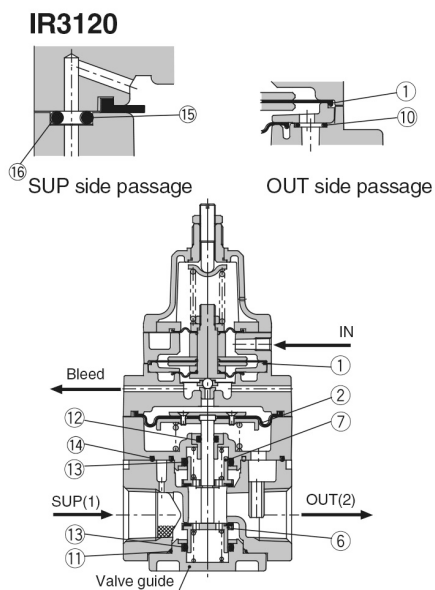
Dimensions



Specifications are subject to change without prior notice and any obligation on the part of the manufacturer.

Constructions

Construction



Replacement Parts

No.	Description	Material	IR3120	
			Part no.	Qty.
1	Diaphragm assembly	NBR, other	P362020-13	1
2	Diaphragm assembly	NBR, other	P362030-1	1
3	Diaphragm	NBR, other	—	—
4	Valve	Stainless steel, NBR	—	—
5	Valve	Stainless steel, NBR	—	—
6	Valve	Brass, NBR	P36203009#1	1
7	Valve	Brass, NBR	P36203010#1	1
8	Damper	NBR, other	—	—
9	O-ring	H-NBR	—	—
10	O-ring	NBR	ø4.5 x 1	1
11	O-ring	NBR	ø27.8 x 1.5	1
12	O-ring	NBR	JISB2401P5 <small>Note)</small>	1
13	O-ring	NBR	JISB2401P16 <small>Note)</small>	2
14	Seal (A)	NBR	P36203015	1
15	Seal (B)	NBR	P36203016	3
16	Fixed throttle	Stainless steel	P36203017	1
Repair kit no. (A set of above nos. ① to ⑮.)			KT-IR3120	

Note) Use mini-flick type.

Additional information

Catalogue [IR1000-2000-3000-B_EU.pdf](#)

Operation manuals [OM_IR30-OM00002EN-F.pdf](#)
[IR10-OM00006_GB.pdf](#)
[OM_IR20-OM00004EN-E.pdf](#)
[OM_IR10_OM00002EN-E.pdf](#)
[OM_IR20_OM00002EN-F.pdf](#)
[OM_IR30_OM00004EN-F.pdf](#)