

## D-M9NV/M9PV/M9BV, Solid State Switch, Direct Mounting, Grommet, Perpendicular

### D-M9BVZ

Datasheet

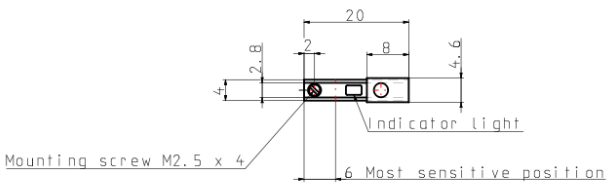
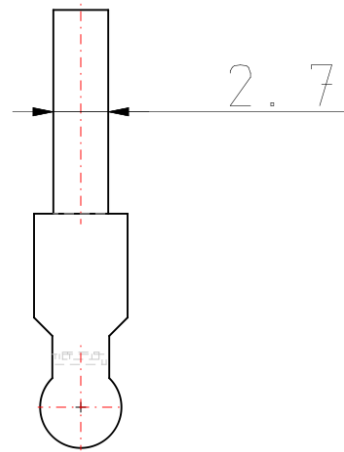
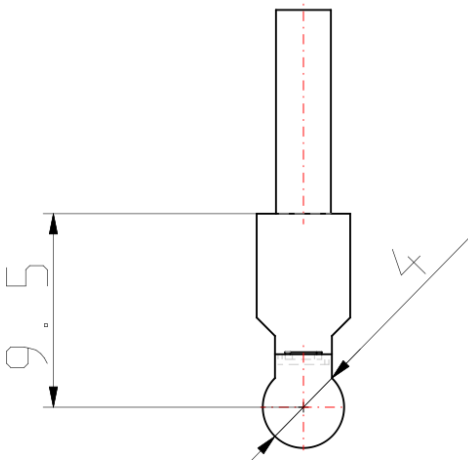
### General series information

- Electrical entry: Grommet.
- Application Load: IC circuit/Relay/PLC, 24V DC Relay/PLC.
- Power voltage: 5/12/24V DC (4.5 to 28V DC).
- Load current: 5 to 40mA.

### Standard specifications

Model	M9BV (2-wire)
Lead Wire Length	Z (5 m)
Maximum ambient temperature	60 °C
Minimum ambient temperature	-10 °C
General power supply	4.5 to 28 V DC
Approvals	CE;UL
Weight	0.063 Kg

# Dimensions



## Additional information

Catalogue

[D\\_EU.pdf](#)

Operation manuals

[OM\\_D-M9xx\\_OMJ0004EN-F.pdf](#)  
[OM\\_D-M9xJx\\_OMS0002EN-B.pdf](#)  
[OM\\_D-M9xx\\_OMG0002EN-E.pdf](#)  
[d-m9\\_op\\_man\\_d-\\_s-omg0002-a.pdf](#)