

MXQ*A-Z, Air Slide Table, Double Ported Type MXQ25A-50Z

Datasheet

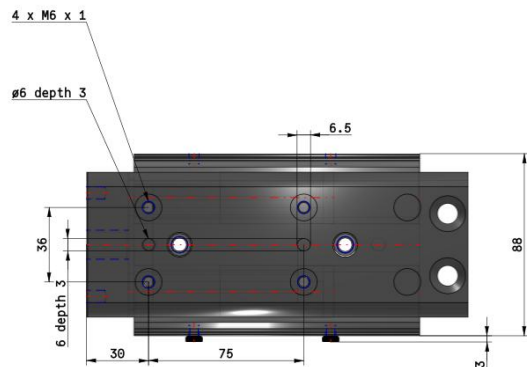
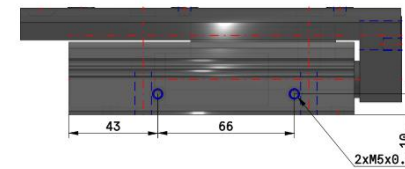
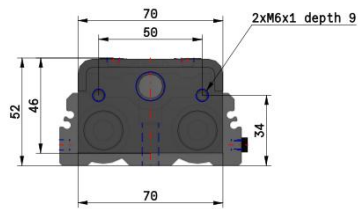
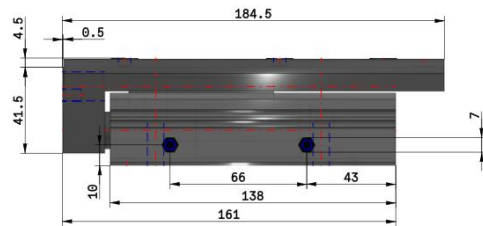
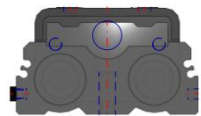
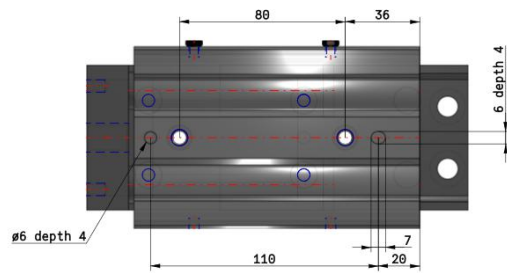
General series information

- More compact: High reduced up to 10%.
- Lighter: Weight reduced up to 35%.
- More flexible: Piping ports and auto switch mounting grooves on both sides.
- Auto switch visibility improved.

Standard specifications

Bore Size	25 mm
Lube-retainer	Without Stable Lubrication Function
Stroke	50 mm
Adjuster Option	Z (Without Adjuster)
Functional Option	Without Functional Option
Auto Switch	No Switch
Lead Wire or Prewired Connector	0.5m (Or None in the Case of No Switch)
Number	2 pcs. (Or None in the Case of No Switch)
Made to Order	None
Pressure medium	Compressed air
Maximum temperature of pressure medium	60 °C
Minimum temperature of pressure medium	-10 °C
Maximum ambient temperature	60 °C
Minimum ambient temperature	-10 °C
Number of pneumatic connections	2 pcs.
Mode of operation of drive	Double acting
Weight	1.900 Kg

Dimensions



Specifications are subject to change without prior notice and any obligation on the part of the manufacturer.

Additional information

Catalogue

[MXQ-Z-C_EU.pdf](#)

Operation manuals

[OM_MXQ-Z_OMP0038EN-D.pdf](#)