

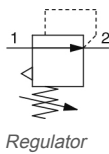
## ARM11A, Regulator Block, Common Supply Type

### ARM11AB1-R05-A

Datasheet

### General series information

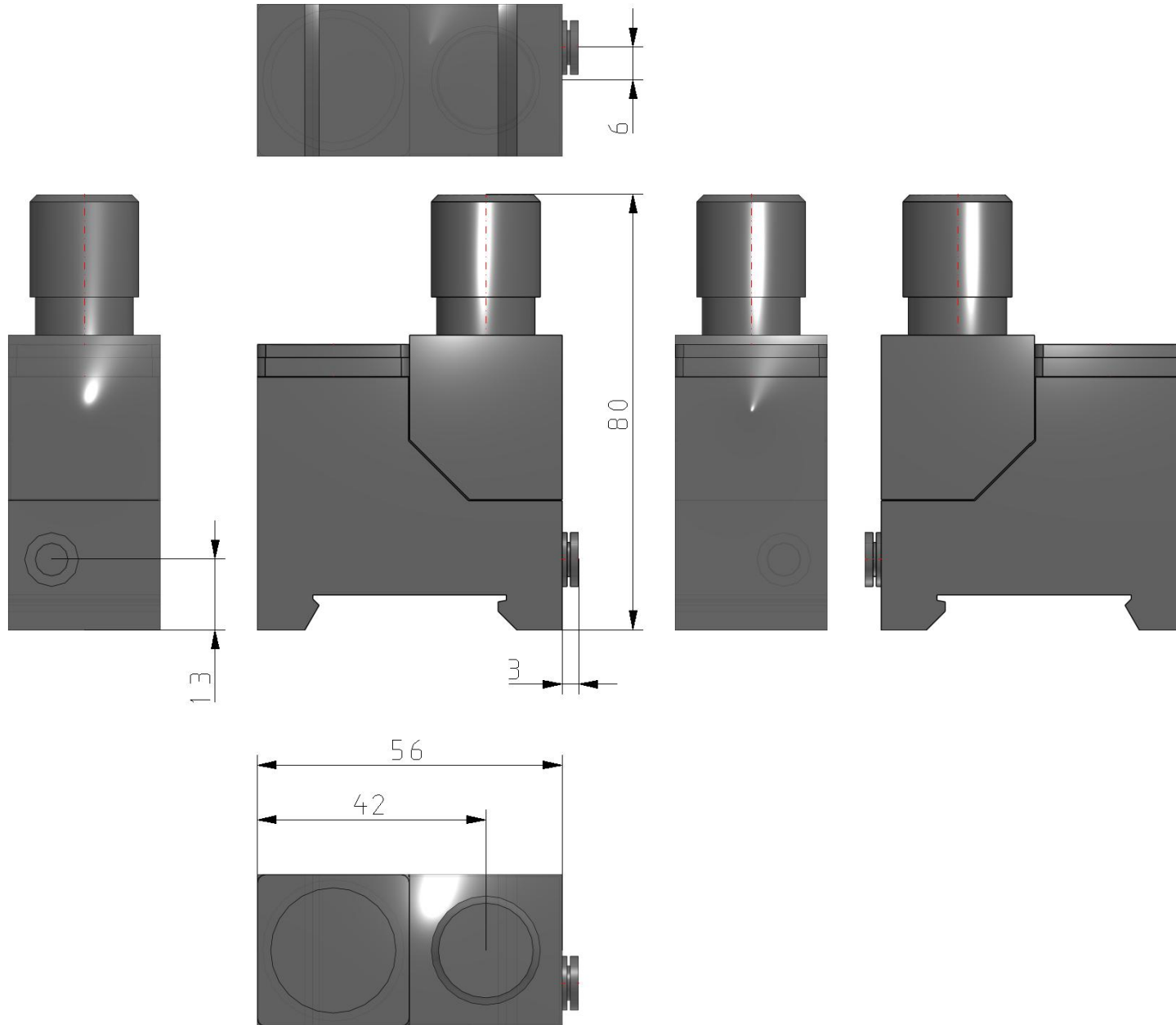
- Regulator block, common supply type
- OUT piping type: straight & elbow (metric & inch)
- OUT piping position: bottom, top
- Handle position: top, bottom, front
- Accessories: pressure gauge
- Options: 0.35MPa setting, non-relieving, oil free



### Standard specifications

Handle Position	B (Front)
Piping	1 (Bottom)
Fitting	05 (Ø6 Straight)
Accessory	A (Pressure Gauge)
Option	None
Unit	Name Plate, Pressure Gauge MPa
Digital Pressure Switch Output Specifications	None
Maximum temperature of pressure medium	60 °C
Minimum temperature of pressure medium	-5 °C (with no freezing)
Maximum operating pressure	1.0 MPa
Proof pressure	1.5 MPa
Set pressure range	0.05 - 0.7 MPa
Applicable fluid	Air
Regulator construction	Direct acting
Working principle	Piston type
Relief mechanism	Relieving type
Weight	0.139 Kg

# Dimensions



## Additional information

Catalogue

[ARM10-11\\_EU.pdf](#)

Operation manuals

[arm10\\_11\\_op\\_man\\_ar\\_-omg0039-a.pdf](#)