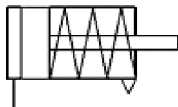


RS2H, Heavy Duty Stopper Cylinder RS2H50TF-30BM-D

Datasheet

General series information

- Heavy duty stopper cylinder
- Bore sizes (mm): 50, 63, 80
- Piping available from 2 directions
- Mounting type: flange
- Variety of options available



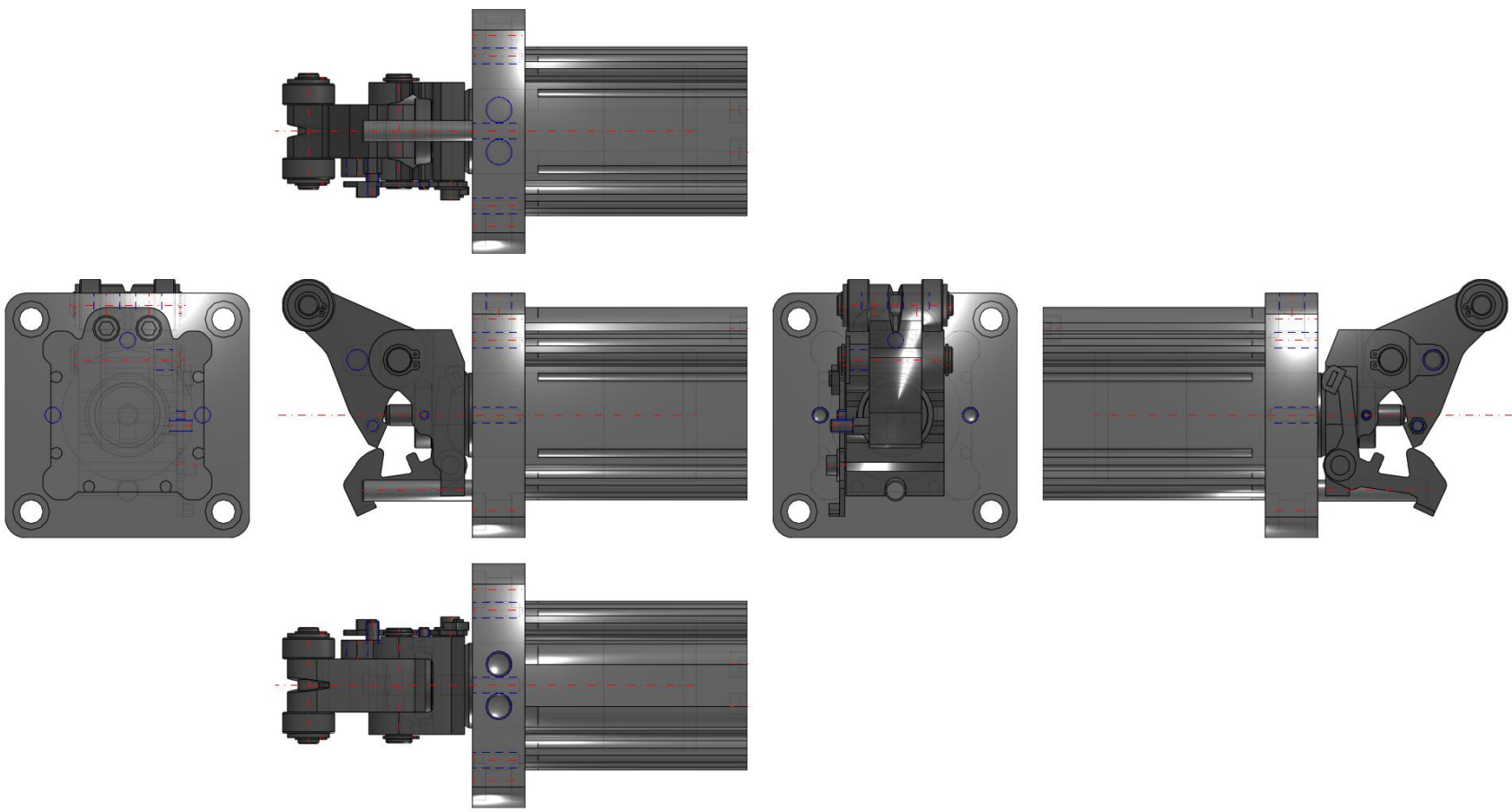
Single acting cylinder / Retracted / Return by spring

Standard specifications

Bore Size	50 mm
Port Thread	TF (G Thread)
Piping	Flange Side
Stroke	30mm (RS2H50,63)
Action	B (Double Acting w/Spring)
Roller Material	M (Carbon Steel)
Option	D (Locking Mechanism)
Port and Lever Position	0°
Shock Absorber	Standard
Auto Switch	No Switch
Lead Wire or Prewired Connector	0.5m (Or None in the Case of No Switch)
Number	2 pcs. (Or None in Case of No Switch)
Made to Order	Standard
Maximum operating pressure	1 MPa
Proof pressure	1.5 MPa
Maximum ambient temperature	60 °C
Minimum ambient temperature	-10 °C (No freezing)
Conform to the European RoHS Directive	Conform

Type of cushioning	Rubber bumper
Port size	1/8
Lubrication	Non Lube
Stroke length tolerance	$\pm 0 \sim 1.4$ mm
F450 - Mounting	Flange
Action	Double acting with spring loaded
Weight	1.762 Kg

Dimensions



Additional information

Catalogue

[RS2H-A_EU.pdf](#)

Operation manuals

[OM_RS2H_OM0012PEN-B.pdf](#)