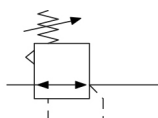


AR20(*)-B to AR60(*)-B, Regulator & Regulator w/Backflow Function

AR20-F02BE-1-B

Datasheet

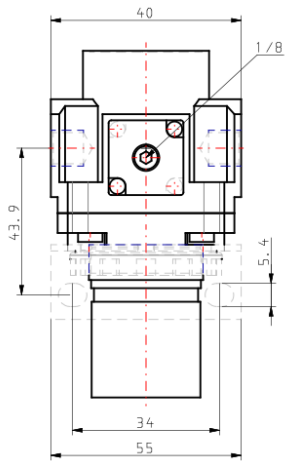
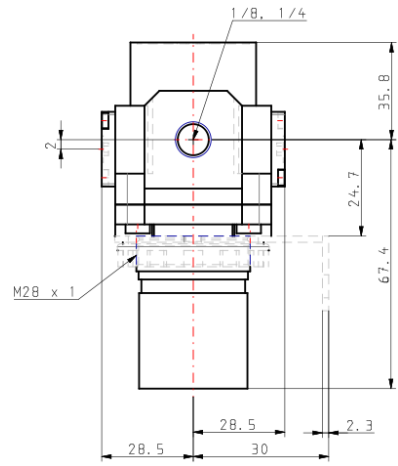
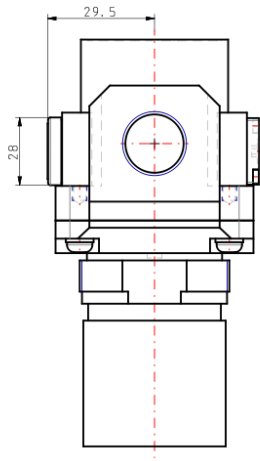


Pressure control valve, relieving pressure regulator, adjustable

Standard specifications

Made to Order 1	None
Body Size	20
Backflow Function	None
Thread	F (G)
Port	02 (1/4)
Option	BE (w/Bracket + Square embedded type pressure gauge, with limit indicator)
Semi-standard	1 (Set Pressure: 0.02 to 0.2 MPa)
Made to Order 2	None
Pressure medium	Air
Maximum temperature of pressure medium	60 °C
Minimum temperature of pressure medium	-5 °C [with no freezing]
Maximum operating pressure	1.0 MPa
Proof pressure	1.5 MPa
Maximum ambient temperature	60 °C
Minimum ambient temperature	-5 °C [with no freezing]
Conform to the European RoHS Directive	Conform
Approvals	No need
Weight	0.206 Kg

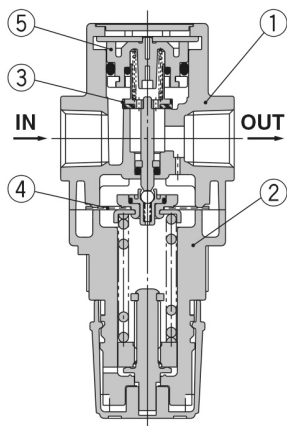
Dimensions



Constructions

Construction

AR20(K)-B/AR25(K)-B



Component Parts

No.	Description	Material	Model	Colour
1	Body	Zinc die-cast	AR10-A	White
		Aluminium die-cast	AR20(K)-B to AR60(K)-B	
2	Bonnet	Polyacetal	AR10-A	White
			Aluminium die-cast	

Replacement Parts

[AR10-A]

No.	Description	Material	Part no.
3	Valve	HNBR	AR10P-090S
4	Piston assembly	Polyacetal	AR10P-150AS
5	Valve guide assembly	Polyacetal	131329

[AR20(K)-B to AR60(K)-B]

No.	Description	Material	Part no.	
			AR20(K)-B	AR25(K)-B
3	Valve	Brass, HNBR	AR20P-410S	AR25P-410S
4	Diaphragm assembly	Weatherable NBR	AR20P-150AS	AR25P-150AS
5	Valve guide assembly	Polyacetal	AR20P-050AS	AR25P-050AS
6	Check valve assembly *1	—	AR23KP-020AS	

*1 Check valve assembly is applicable for a regulator with backflow function (AR20K-B to AR60K-B) only.
 Assembly of a check valve cover, check valve body assembly and 2 mounting screws

Additional information

Catalogue	AC-B-B_EU.pdf
Installation manuals	IM_ARx_SMV43EN.pdf
Operation manuals	OM_AR-B_OMS0056EN.pdf OM_ARxK-B_OMT0015EN.pdf