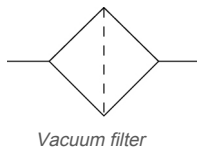


ZFC, In-line Air Filter with One-touch Fitting (NEW) ZFC53-B

Datasheet

General series information

- Wide range of applicable tubing.
- Lock mechanism.
- Easy piping.
- Interchangeability.
- Flexible mounting orientation.
- Lightweight.
- Variety of colours for an easy visualization.

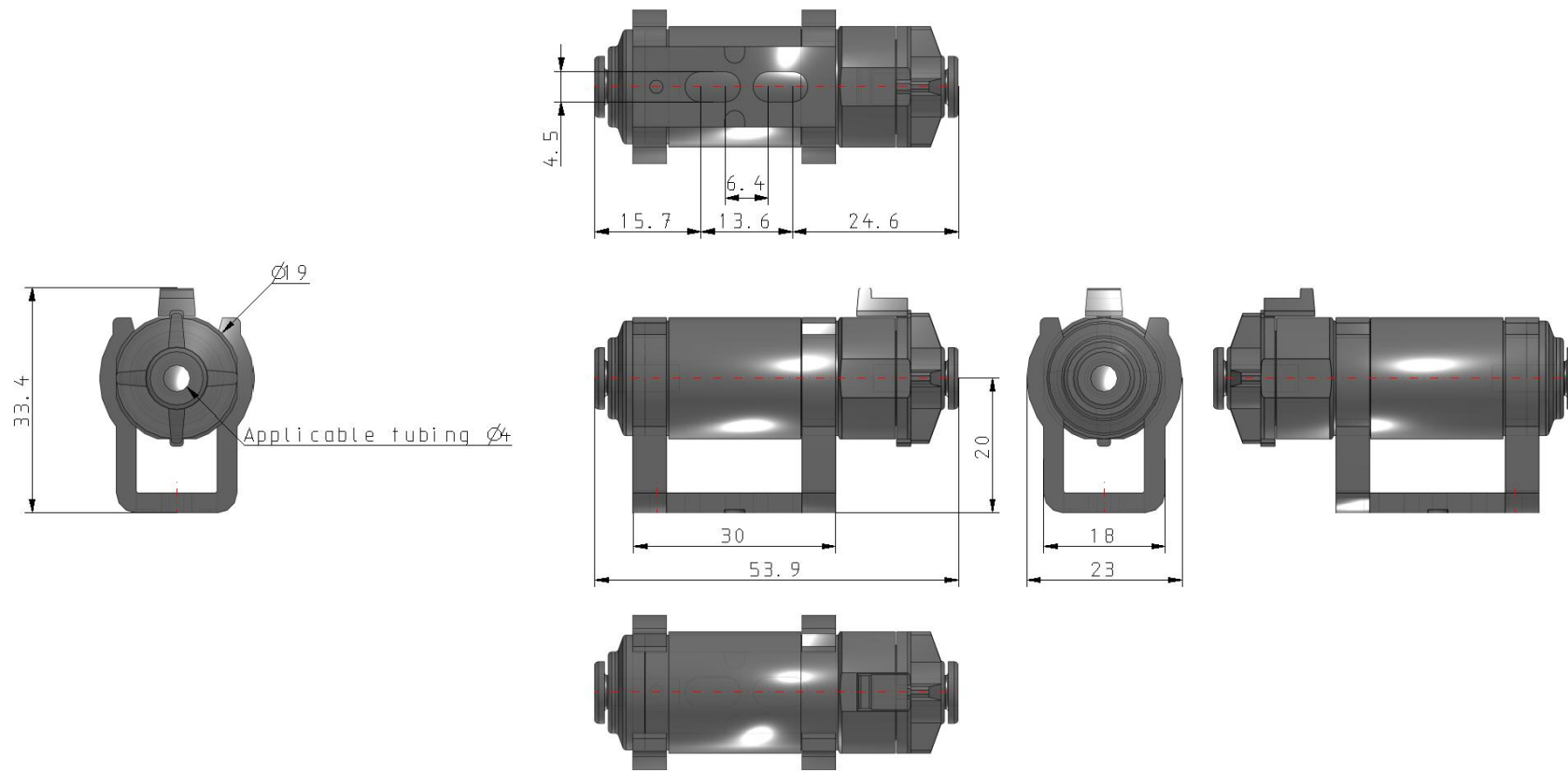


Standard specifications

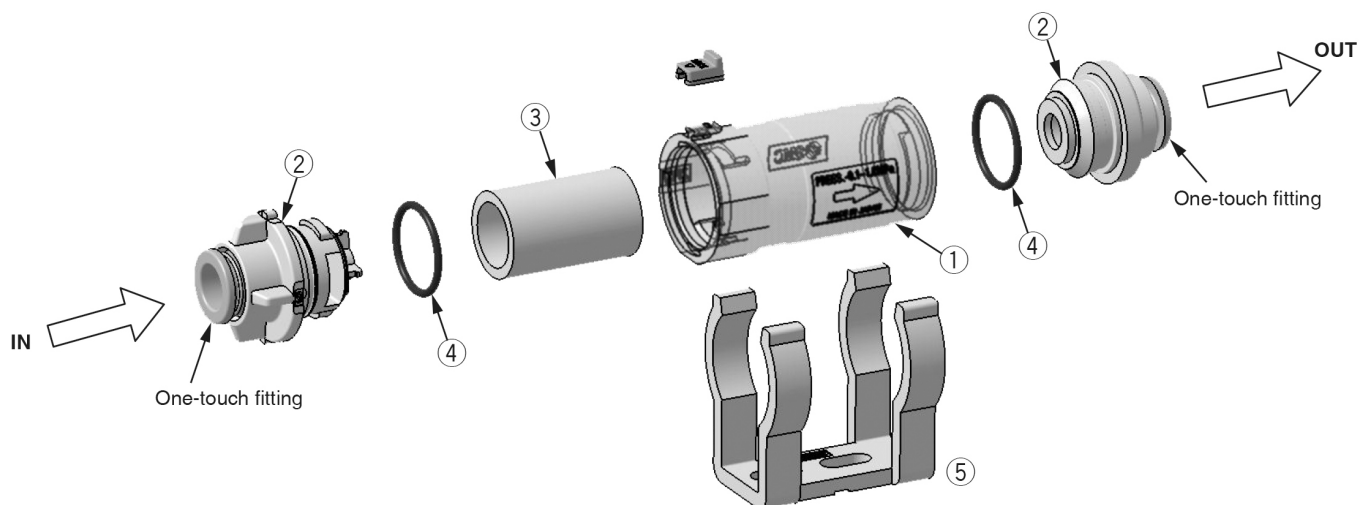
Body Size	5 (20 l/min)
Applicable Tubing O.D.	3 (ø4)
Bracket	B (With Bracket)
Made to Order	None
Maximum operating pressure	1 MPa
Minimum operating pressure	-100 kPa
Proof pressure	1.5 MPa
Maximum ambient temperature with magnet	60 °C
Minimum ambient temperature	0 °C
Conform to the European RoHS Directive	Conform
Flow rate	100 l/min
Bowl Material	Polycarbonate
Drain Capacity	10.5 cm ³
Applicable fluid	Air, Nitrogen
Maximum suction flow rate	10 l/min
Suction filter, Filtration area	750 mm ²

Applicable tubing material	Nylon, Soft nylon, Polyuerethane
Suction filter, Nominal filtration rating	5 μ m
Weight	0.010 Kg

Dimensions



Constructions



Component Parts

No.	Description	Material	Quantity
1	Case	PC	1
2	Cover	Resin PBT	2
3	Element	Sintered resin	1
4	O-ring	HNBR	2
5	Bracket	Resin PBT	1

Additional information

Catalogue

[ZFC-B_EU.pdf](#)