

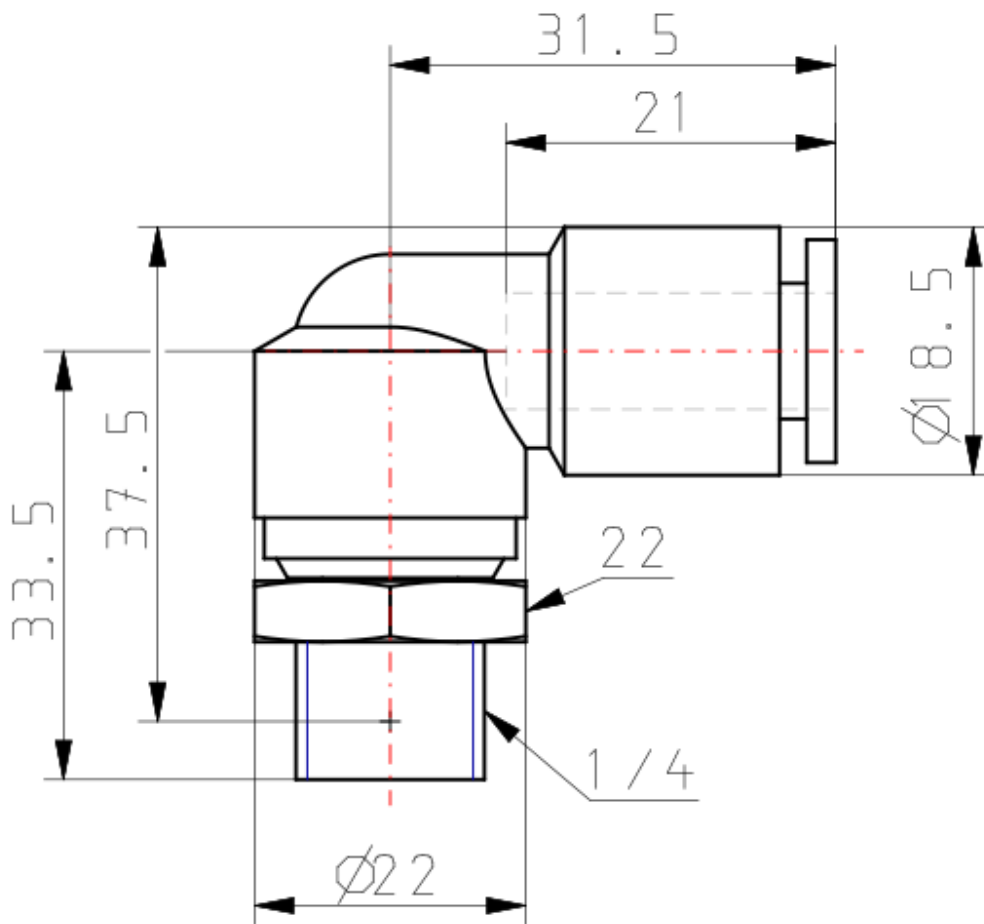
## KS, Rotary One-touch Fitting, Metric KSL10-02S

### Datasheet

Rotary one-touch fitting series KS comes with a ball race bearing for oscillating or rotating applications. KS series comes in 5 tube sizes ranging from 4 to 12mm. One touch collet includes anti tube rotation mechanism. KS is suitable for copper free applications.

Model	L (Male Elbow)
Applicable Tube OD	Ø10 mm
Port Size	02 (R[PT] 1/4)
Sealant	S [Sealant]
Pressure medium	Air
Maximum ambient temperature	60 °C
Minimum ambient temperature	-5 °C (no Freezing)
Usable tubing material	Nylon, Soft nylon, Polyurethane
Weight	0.056 Kg

## Dimensions



## Additional information

Catalogue

[KS\\_KX\\_EU.pdf](#)