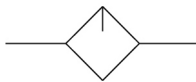


## AL20-D to AL60-D, Lubricator AL30-F02-D

Datasheet

### General series information

- Maximum flow rate up to 15000 l/min (ANR, 0.7MPa).

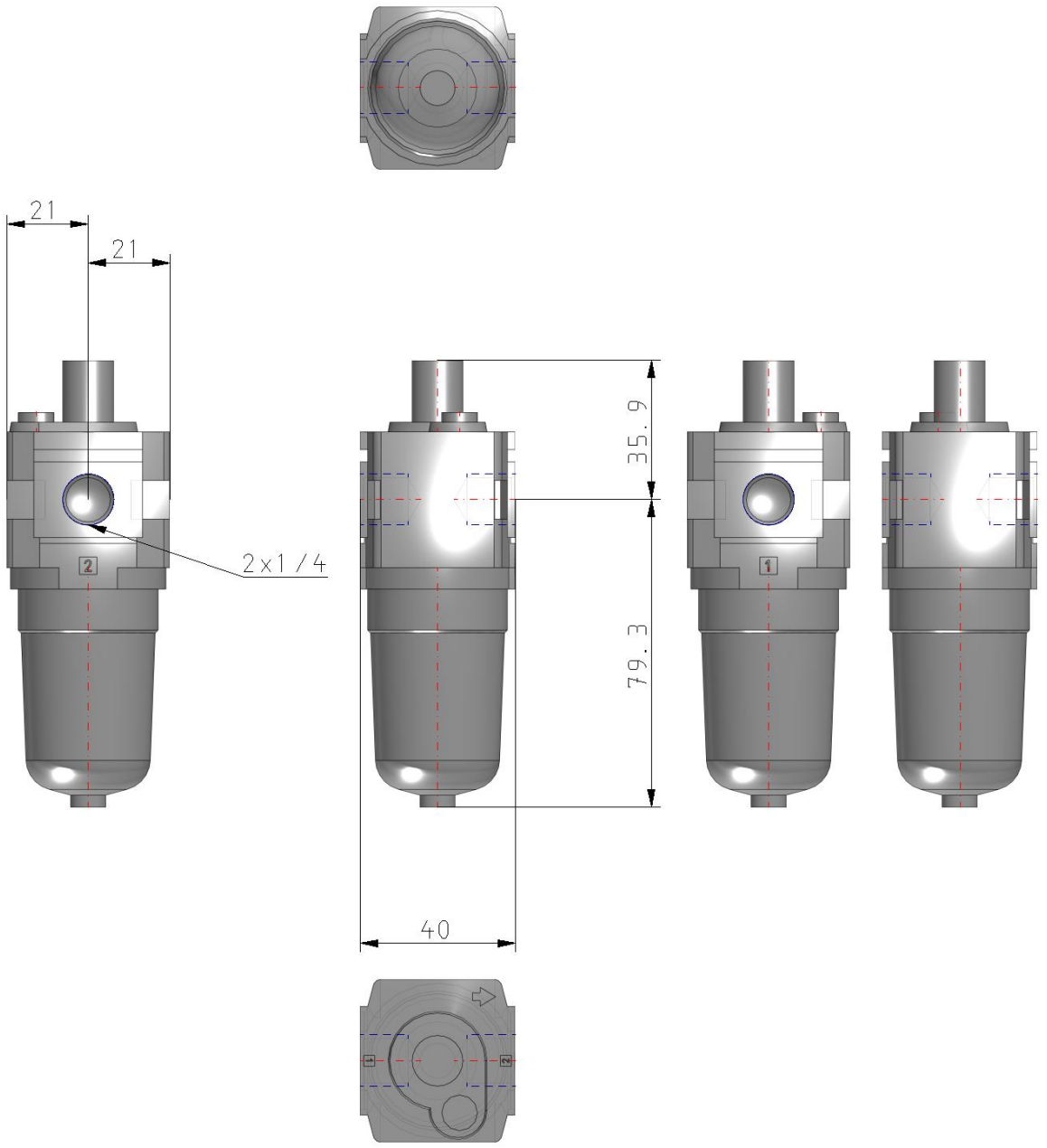


Lubricator

### Standard specifications

Body Size	30
Thread	F (G)
Port Size	02 (1/4)
Mounting	w/o Mounting Option
Bowl/Lubricant exhaust port/Flow direction	Polycarbonate Bowl
Pressure Unit	MPa, °C
Pressure medium	Air
Maximum temperature of pressure medium	60 °C
Minimum temperature of pressure medium	-5 °C (with no freezing)
Maximum operating pressure	1.0 MPa
Minimum operating pressure	0.05 MPa
Proof pressure	1.5 MPa
Conform to the European RoHS Directive	Conform
Oil capacity	55 cm <sup>3</sup>
Max. Flow rate (inlet pressure = 1.0 MPa)	6000 l/min
MIN_DRIPPING_FLOW	30 l/min
RECOMMENDED_LUBRICANT	Class 1 turbine oil (ISO VG32)
Weight	0.192 Kg

# Dimensions



## Additional information

Catalogue

[ACD-D\\_EU.pdf](#)

Operation manuals

[OM\\_AL20-60-D\\_OMX0056EN-B.pdf](#)