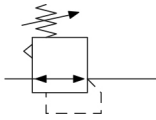


## IR1000~3000, Precision Regulator IR3000-F03

### Datasheet

Series IR Precision Regulators are designed to be compact and light weight. The maximum set pressure has been expanded from the conventional 0.7MPa to 0.8MPa. Relief flow has been increased by nearly 5 times (compared to SMC IR201, IR401). The optional bracket and pressure gauge can be mounted on either the front or back of the unit.



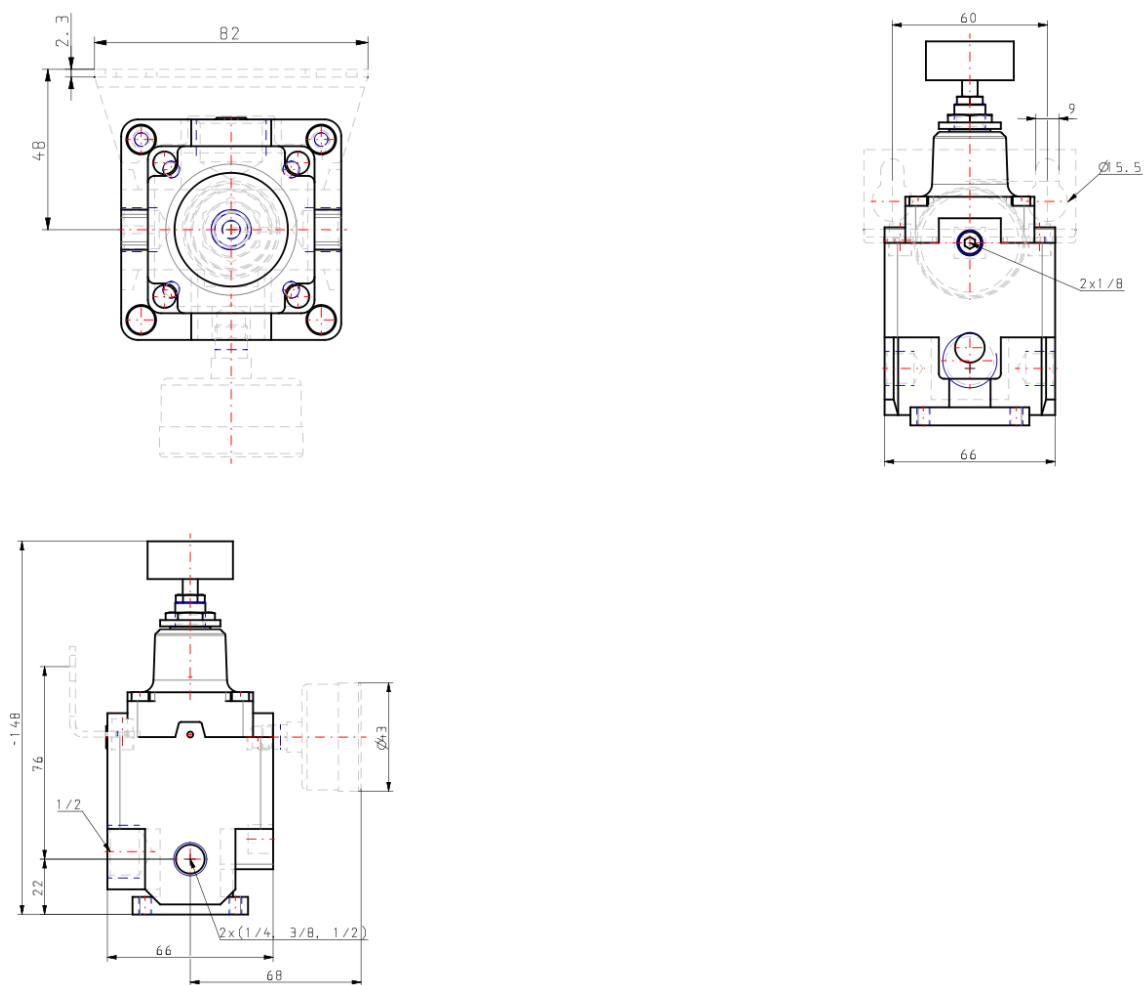
Pressure control valve, relieving pressure regulator, adjustable

### Standard specifications

Body Size	3 (IR3000)
Type of Setting	0 (Basic [Handle])
Set Pressure	0 (0.005~0.2MPa [IR1000/2000] or 0.01~0.2MPa [IR3000])
Thread	F [G(PF)]
Port Size	03 (3/8 [IR3000 Only])
Accessory	None
Suffix 1	Standard
Suffix 2	None
Made to Order	None
Switch Specifications	None
Pressure medium	Air
Maximum temperature of pressure medium	60 °C
Minimum temperature of pressure medium	-5 °C [with no freezing]
Maximum operating pressure	1.0 MPa
Minimum operating pressure	+0.1 Mpa
Maximum ambient temperature	60 °C
Maximum ambient temperature with magnet	-5 °C [with no freezing]
Conform to the European RoHS Directive	Conform
Approvals	No need
Sensitivity	Within 0.2% of full span
Repeatability	Within 0.5% of full span
Set pressure range	0.01 - 0.2 MPa

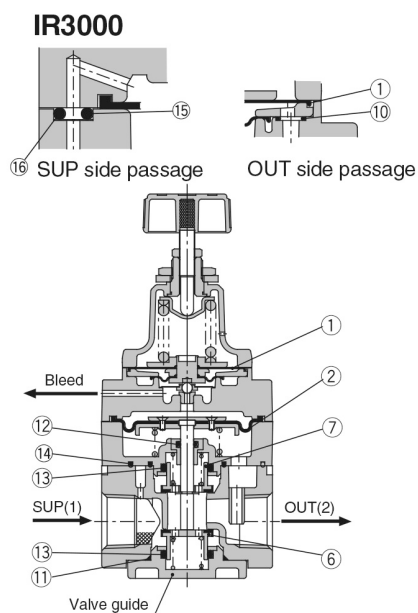
Linearity	Within 1% of full span
Air consumption (At supply pressure of 1.0 MPa)	11.5 l/min (ANR) or less
Input signal pressure	0.01 - 0.8 Mpa
Weight	0.660 Kg

## Dimensions



# Constructions

## Construction



### Replacement Parts

No.	Description	Material	IR30□0	
			Part no.	Qty.
1	Diaphragm assembly	NBR, other	P362020-2	1
2	Diaphragm assembly	NBR, other	P362030-1	1
3	Diaphragm	NBR, other	—	—
4	Valve	Stainless steel, NBR	—	—
5	Valve	Stainless steel, NBR	—	—
6	Valve	Brass, NBR	P36203009#1	1
7	Valve	Brass, NBR	P36203010#1	1
8	Damper	NBR, other	—	—
9	O-ring	H-NBR	—	—
10	O-ring	NBR	ø4.5 x 1	1
11	O-ring	NBR	ø27.8 x 1.5	1
12	O-ring	NBR	JISB2401P5 (Note)	1
13	O-ring	NBR	JISB2401P16 (Note)	2
14	Seal (A)	NBR	P36203015	1
15	Seal (B)	NBR	P36203016	3
16	Fixed throttle	Stainless steel	P36203017	1
Repair kit no. (A set of above nos. ① to ⑮.)			KT-IR3000	



Note) Use mini-flick type.

## Additional information

Catalogue	<a href="#">IR1000-2000-3000-B_EU.pdf</a>
Operation manuals	<a href="#">OM_IR30-OM00002EN-F.pdf</a> <a href="#">IR10-OM00006_GB.pdf</a> <a href="#">OM_IR20-OM00004EN-E.pdf</a> <a href="#">OM_IR20_OM00002EN-F.pdf</a> <a href="#">OM_IR10_OM00002EN-E.pdf</a> <a href="#">OM_IR30_OM00004EN-F.pdf</a>