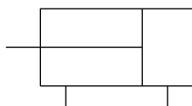


C(D)JP2, Pin Cylinder, Double Acting, Single Rod CJP2D16-15D

Datasheet

Machine builders looking to combine small double acting pin cylinders for clamping, pushing or stopping applications in their machines often have to juggle between the available components and the available space. But, thanks to the design engineers at SMC, world leaders in pneumatic technology, this challenge maybe a thing of the past with the introduction of their new Series CJP2 Pin Cylinder range. Now available in four bore size options, Series CJP2 includes a tiny, but powerful, 4mm bore size option making it the smallest double acting pin cylinder around. With 6, 10 and 16mm bore sizes completing the range, all feature extruded aluminium bodies making them not only compact but extremely light in weight. With longer stroke options of up to 40mm dependant on the selected bore size, the entire CJP2 Series can be fitted with direct mounted SMC D-M9/D-A9 auto switches without the need for additional mounting brackets. Further CJP2 options include rubber bumper cushions for impact resistance providing quieter operation and made to order models including both heat and cold resistant types. Mounting possibilities include Basic/Panel, Flange, Foot, Clevis and trunnion options and the new CJP2 Series is fully interchangeable with SMC's existing CJP range.



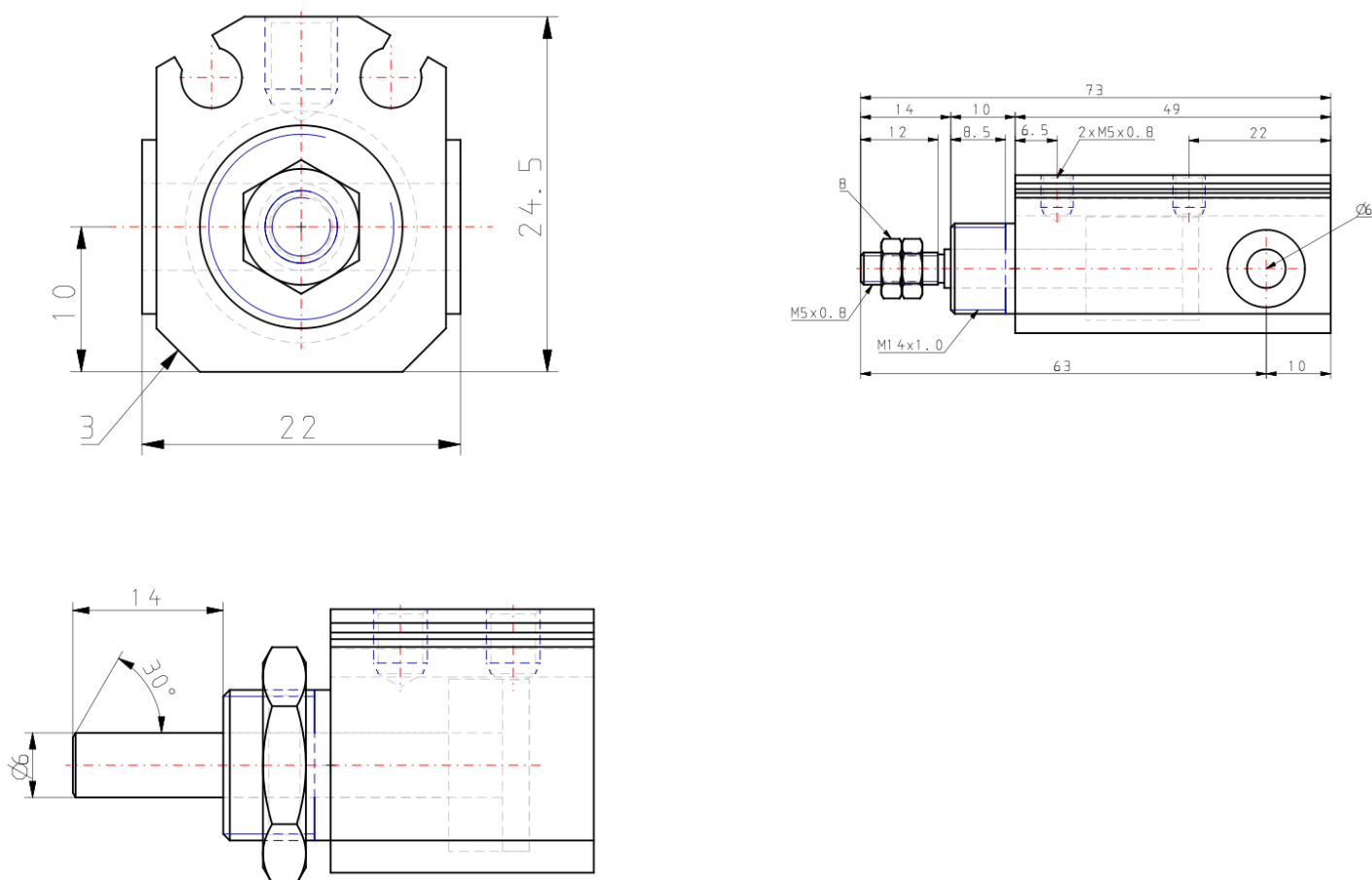
Double-acting, single-rod cylinder

Standard specifications

Magnet	None
Mounting	D (Clevis)
Bore Size	Ø16 mm
Stroke	15 mm
Rod End Thread	With Thread
Auto Switch	No Switch
Lead Wire or Prewired Connector	0.5m [Or None in the Case of No Switch]
Number	2 pcs. [Or None in the Case of No Switch]
Pressure medium	Compressed Air
Maximum temperature of pressure medium	70 °C
Minimum temperature of pressure medium	-10 °C
Maximum operating pressure	0.7 MPa

Minimum operating pressure	0.06 MPa
Proof pressure	1.05 MPa
Maximum ambient temperature	70 °C
Minimum ambient temperature	-10 °C
Conform to the European RoHS Directive	Conform
Numero of pneumatic connections	2 pcs.
Pneumatic input connection	M5 x 0.8
Mode of operation of drive	Double acting
Theoretical cylinder force, advance stroke (at 0.5 MPa)	100.5 N
Theoretical cylinder force, return stroke (at 0.5 MPa)	86.4 N
Type of cushioning	Rubber bumper
Male thread of rod end	M5
Weight	0.110 Kg

Dimensions



Additional information

Catalogue

[CJP2-CJP_EU.pdf](#)

Operation manuals

[cjp2_op_manual_cjp2-om0002k.pdf](#)