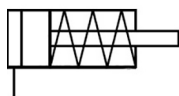


C(D)85-S/T, ISO Cylinder, Single Acting, Single Rod CD85N20-16S-B

Datasheet

General series information

- Single acting, single rod, spring return/spring extend
- Conforms to ISO standard 6432
- Bore sizes (mm): 8, 10, 12, 16, 20, 25
- Standard strokes up to 150mm
- Auto switch capable



Single-acting cylinder, single piston rod, return stroke by spring

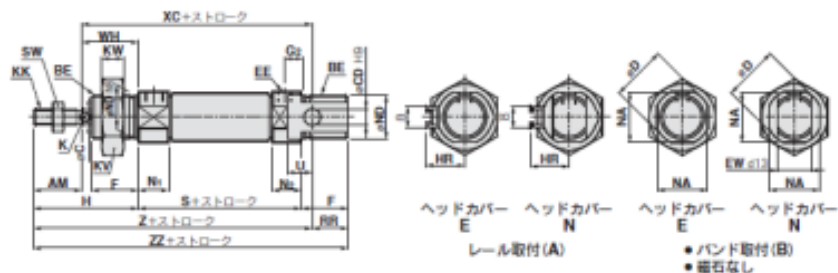
Standard specifications

Magnet	D (Built-in)
Mounting	N (Basic Integrated Clevis)
Bore Size	Ø20 mm
Stroke	16
Action	S (Spring Return)
Switch Mounting	B (Band)
Auto Switch	No Switch
Lead Wire or Prewired Connector	0.5m (Or None in the Case of No Switch)
Number	2 pcs. (Or None in the Case of No Switch)
Rod End Options	None
Made of Stainless Steel	None
Pressure medium	Compressed air
Maximum temperature of pressure medium with magnet	80°C
Minimum temperature of pressure medium with magnet	-20°C
Maximum operating pressure	1 MPa
Minimum operating pressure	0.18 Mpa
Proof pressure	1.5 MPa
Maximum ambient temperature with magnet	80°C

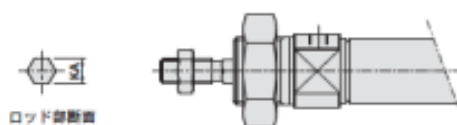
Minimum ambient temperature with magnet	-20°C
Number of pneumatic connections	1 pc.
Pneumatic input connection	G 1/8
Pneumatic output connection	G 1/8
Mode of operation of drive single	Single acting, spring return
Maximum piston speed	1500 mm/s
Type of cushioning	Rubber bumper
Piston rod end	External thread
Geometric form of the piston rod	Single rod
Male thread of rod end	M8

Dimensions

単動・押し出し
 C□85² [チューブ内径] - ストローク S - □
 磁石なし / 磁石内蔵



C□85KN, C□85KE
 ロッド回り止め形



寸法表

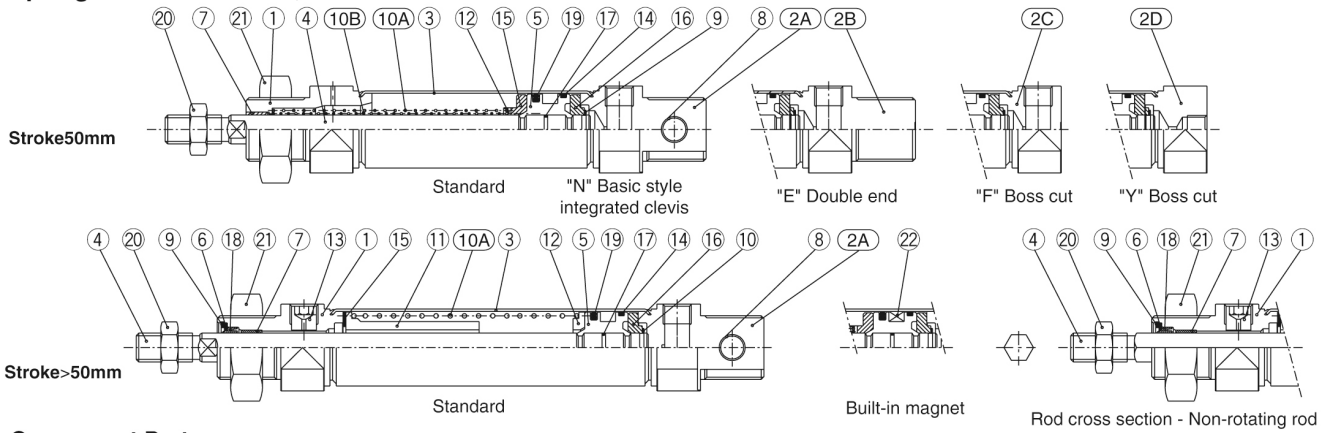
		(mm)																						
チューブ内径	AM	BE	C	CD	D	EE	EW	F	Gz	H	HR	K	KA	KK	KV	KW	N ₁	N ₂	NA	ND	RR	SW	U	WH
8	12	M12×1.25	4	4	16.7	M5×0.8	8	12	5	28	10	—	4.2	M4×0.7	19	6	5.5	9.5	15	12	10	7	6	16
10	12	M12×1.25	4	4	16.7	M5×0.8	8	12	5	28	10.5	—	4.2	M4×0.7	19	6	5.5	9.5	15	12	10	7	6	16
12	16	M16×1.5	6	6	19.7	M5×0.8	12	17	6	38	14	5	6.2	M5×1	24	8	5.5	10.5	18.3	16	14	10	9	22
16	16	M16×1.5	6	6	19.7	M5×0.8	12	17	6	38	14	5	6.2	M5×1	24	8	5.5	10.5	18.3	16	13	10	9	22
20	20	M22×1.5	8	8	28	G1/8	16	20	8	44	17	6	8.2	M8×1.25	32	11	15	15	24	22	11	13	12	24
25	22	M22×1.5	10	8	33.5	G1/8	16	22	8	50	20	8	10.2	M10×1.25	32	11	15	15	30	22	11	17	12	28

チューブ内径	S			XC			Z			ZZ		
	1-50	51-100	101-150	1-50	51-100	101-150	1-50	51-100	101-150	1-50	51-100	101-150
8	46.52 (46.62)	—	—	56.70 (47.80)	—	—	75.92 (46.30)	—	—	86.90 (46.02)	—	—
10	46.50 (46.60)	—	—	56.68 (47.78)	—	—	75.90 (46.30)	—	—	86.90 (46.00)	—	—
12	50 (50.5)	—	—	75 (78.5)	—	—	91 (94.5)	—	—	105 (108.5)	—	—
16	55 (55.5)	71.5 (75)	87 (90.5)	82 (85.5)	97.5 (101)	113 (116.5)	96 (101.5)	113.5 (117)	129 (132.5)	111 (114.5)	128.5 (130)	142 (145.5)
20	62 (67)	112	137	96 (120)	145	170	115 (140)	165	190	126 (151)	176	201
25	65 (88.5)	113.5	138.5	104 (127.5)	152.5	177.5	126 (149.5)	174.5	199.5	137 (160.5)	185.5	210.5

()内はオートスイッチ付の場合。()内はロッド回り止め形の場合。

Constructions

Single acting: Single rod Spring return/C□85□20, 25-□S



Component Parts

No.	Description	Material	Quantity	Remarks
①	Rod cover	Aluminum alloy	1	White anodized
②A	Head cover N	Aluminum alloy	1	White anodized
②B	Head cover E	Aluminum alloy	1	White anodized
②C	Head cover F	Aluminum alloy	1	White anodized
②D	Head cover Y	Aluminum alloy	1	White anodized
③	Cylinder tube	Stainless steel	1	
④	Piston rod	Carbon steel*	1	Hard chrome plated
⑤	Piston	Aluminum alloy	1	Chromated
⑥	Plain washer	Carbon steel	1	Nickel plated
⑦	Bushing	Sintered bronze	1	
⑧	Bushing	Sintered bronze	1	
⑨	Retaining ring	Carbon steel	1	Nickel plated
⑩A	Return spring A	Piano wire	1	Zinc chromated

* Stainless steel (Non-rotating rod)

No.	Description	Material	Quantity	Remarks
⑩B	Return spring B	Piano wire	1	Zinc chromated
⑪	Spring guide	Aluminum alloy	1	
⑫	Spring holder	Aluminum alloy	1	
⑬	Set screw	Carbon steel	1	
⑭	Wear ring	Phenolic resin	1	
⑮	Bumper A	Urethane	1	
⑯	Bumper B	Urethane	1	
⑰	Piston gasket	NBR	1	
⑱	Rod seal	NBR	1	
⑲	Piston seal	NBR	1	
⑳	Rod end nut	Carbon steel	1	Nickel plated
㉑	Mounting nut	Carbon steel	1	Nickel plated
㉒	Magnet		1	(Switch style only)

Additional information

Catalogue

[C85_C75-A_EU.pdf](#)