

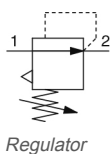
## ARM1000/2000, Regulator Manifold Series

### ARM1000-3A1-01G

Datasheet

### General series information

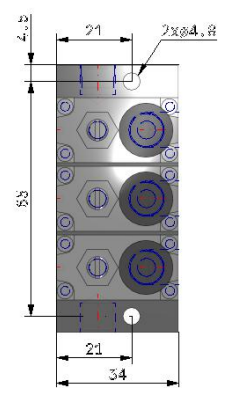
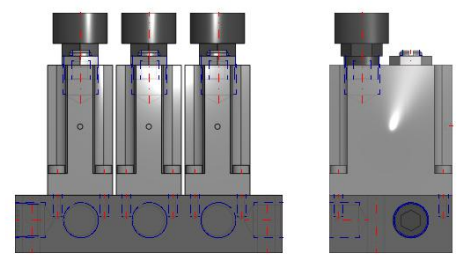
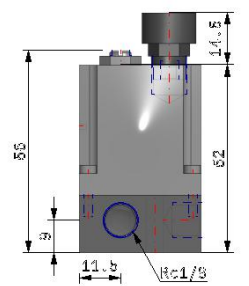
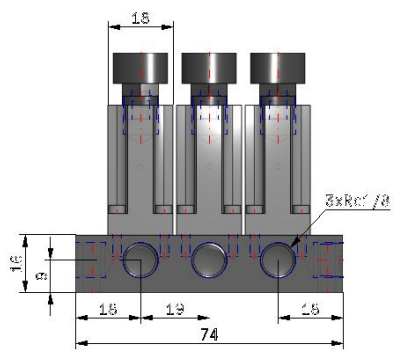
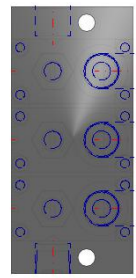
- Regulator manifold series, metric
- Small size pressure gauge  $\varnothing 15$
- 4 connection methods
- Maximum operating pressure: 0.8MPa



### Standard specifications

Size	1 (Size 1000, Flow 100NI/min)
Stations	3 Stations
Piping Specification	A1 (IN: Common OUT: Manifold)
Thread	Rc(PT)
Accessory	G (Pressure Gauge)
Option	None
Maximum temperature of pressure medium	60 °C
Minimum temperature of pressure medium	-5 °C (with no freezing)
Maximum operating pressure	0.8 MPa
Proof pressure	1.2 MPa
Set pressure range	0.05 - 0.7 MPa
Applicable fluid	Air
Relief mechanism	Relieving type
Weight	0.263 Kg

# Dimensions



## Additional information

Catalogue

[ARM\\_EU.pdf](#)