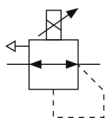


## ITV00\*\*, Compact Electro-Pneumatic Regulator

### ITV0050-0N

Datasheet

- Built-in one-touch fitting
- Error indication LED
- High stability
- High-response time
- Compact and lightweight



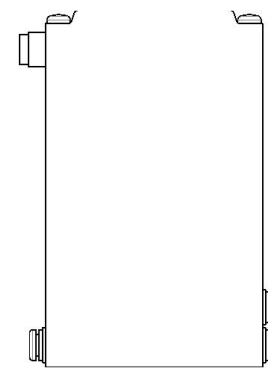
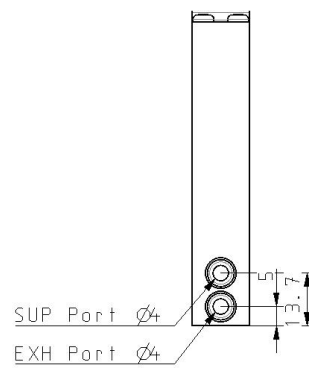
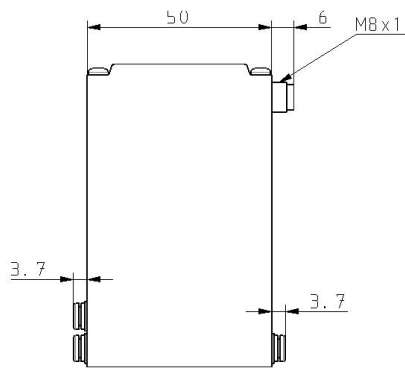
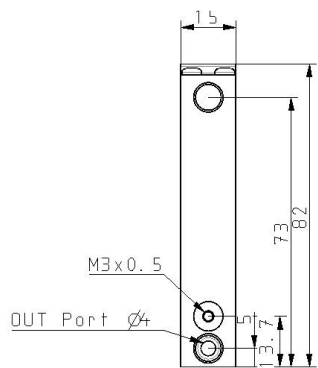
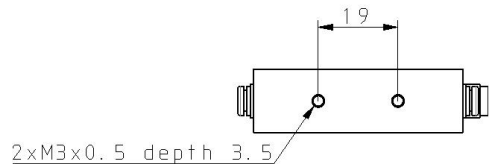
Electro-pneumatic regulator

## Standard specifications

Pressure Range	5 (0.001 to 0.9 MPa)
Power Voltage	0 (DC24V)
Input Signal	0 (Current Style 4~20 mA DC)
Built-in One-touch Fitting	Metric Size One-touch Fitting
Base Type	Single Unit [Standard Base Type]
Bracket	None
Cable Connector	N (w/oCable Connector)
Maximum operating pressure	1.0 MPa
Minimum operating pressure	0.1 MPa
General power supply	24 V DC $\pm$ 10 %, max. 0.12 A
Approvals	CE
Pneumatic input connection	$\varnothing$ 4 mm
Pneumatic output connection	$\varnothing$ 4 mm
Pneumatic exhaust connection	$\varnothing$ 4 mm
Flow rate of secondary exhaust	6.0 NI/min
Maximum output pressure	0.9 MPa
Current consumption	0.12 A
Enclosure	IP65
Sensitivity	Within 0.2% (Full span)

Repeatability	Within $\pm 0.5\%$ (Full span)
Set pressure range	0.001 - 0.1 MPa
Linearity	Within $\pm 1\%$ (Full span)
Power supply voltage	24 VDC $\pm 10\%$
Max. supply pressure	1.0 MPa
Min. supply pressure	Set pressure +0.1 MPa
Temperature characteristics	Within $\pm 0.12\%$ (Full span)/ $^{\circ}\text{C}$
Connection	Built-in One-touch fittings
Hysteresis	Within 0.5% (Full span)
Input signal Current type	4 - 20 mA DC
Input impedance current type	250 k $\Omega$
Output signal Analogue	1 to 5 VDC (Output impedance: Approximately 1 k $\Omega$ ) Output accuracy within $\pm 6\%$ (Full span)
Weight	0.100 Kg

# Dimensions



Specifications are subject to change without prior notice and any obligation on the part of the manufacturer.

## Additional information

Catalogue	<a href="#">ITV-Ff_EU.pdf</a>
Declaration of conformity	<a href="#">newDoC_ITV0000_TF1V091EN.pdf</a> <a href="#">newDoC_ITV0000_TF1Y245EN.pdf</a> <a href="#">DoC_ITV00x_TF00001-B.pdf</a>
Installation manuals	<a href="#">IMM_ITV00x_TF110GB-A.pdf</a>
Operation manuals	<a href="#">OM_ITV0_OM00002EN.pdf</a> <a href="#">itv0000_op_man_itv0-om00002.pdf</a>