

## With Dust Cover - MHZJ2 MHZJ2-16C

### Datasheet

### General series information

- Maximum gripping force per finger 104 N at 0.5 MPa
- Double acting and single acting
- Repeatability:  $\pm 0.01$  mm
- Max. operating frequency: 120 c.p.m.

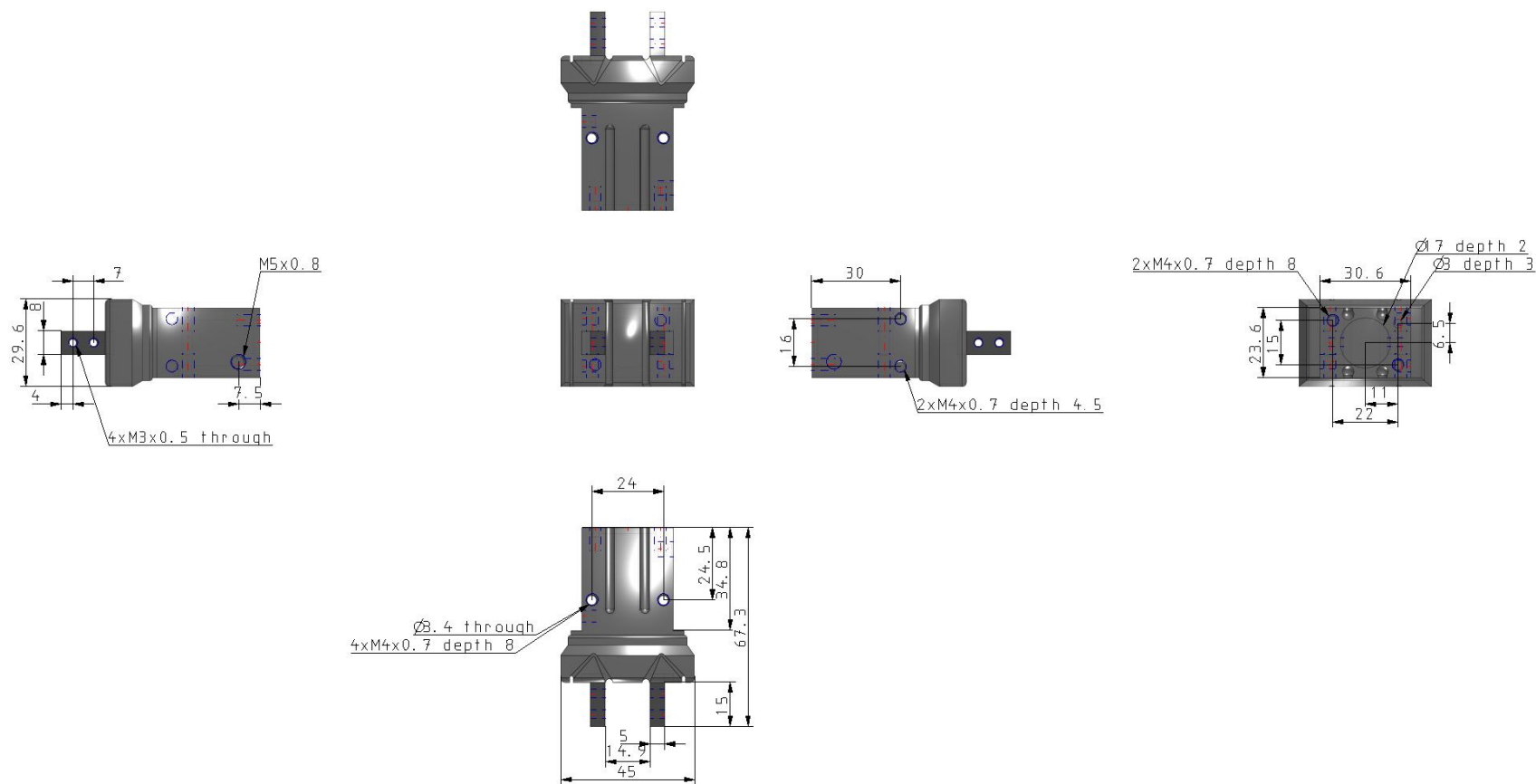


*Gripper, normally closed, single-acting with permanent magnet on piston*

### Standard specifications

Bore Size	16mm
Action	C (Single Acting (N.C.))
Body Option	Basic Style
Dust Cover	Chloroprene Rubber (CR)
Auto Switch	No Switch
Lead Wire or Prewired Connector	0.5m (Or None in the Case of No Switch)
Number	2 pcs. (Or None in the Case of No Switch)
Maximum operating pressure	0.7 MPa
Minimum operating pressure	0.25 MPa
Maximum ambient temperature	60 °C
Minimum ambient temperature	-10 °C
Repeatability	$\pm 0.01$ mm
Weight	130 g
Lubrication	Non-lube
Effective holding force per finger, internal (0.5 MPa)	31 N
Fluid	Air
Max. operating frequency	180 c.p.m.
Stroke per gripper jaw	6 mm
Weight	0.130 Kg

# Dimensions



## Additional information

Catalogue

[MHZ\\_EU.pdf](#)

Operation manuals

[OM\\_MHZJ2\\_OMC0050EN-A.pdf](#)

[OM\\_MHZ2\\_OMD0047EN-A.pdf](#)