

## Standard - MHF2 MHF2-16D2

### Datasheet

### General series information

- Maximum gripping force per finger 141 N at 0.5 MPa
- Double acting
- Repeatability:  $\pm 0.05$  mm
- Max. operating frequency: 120 c.p.m.



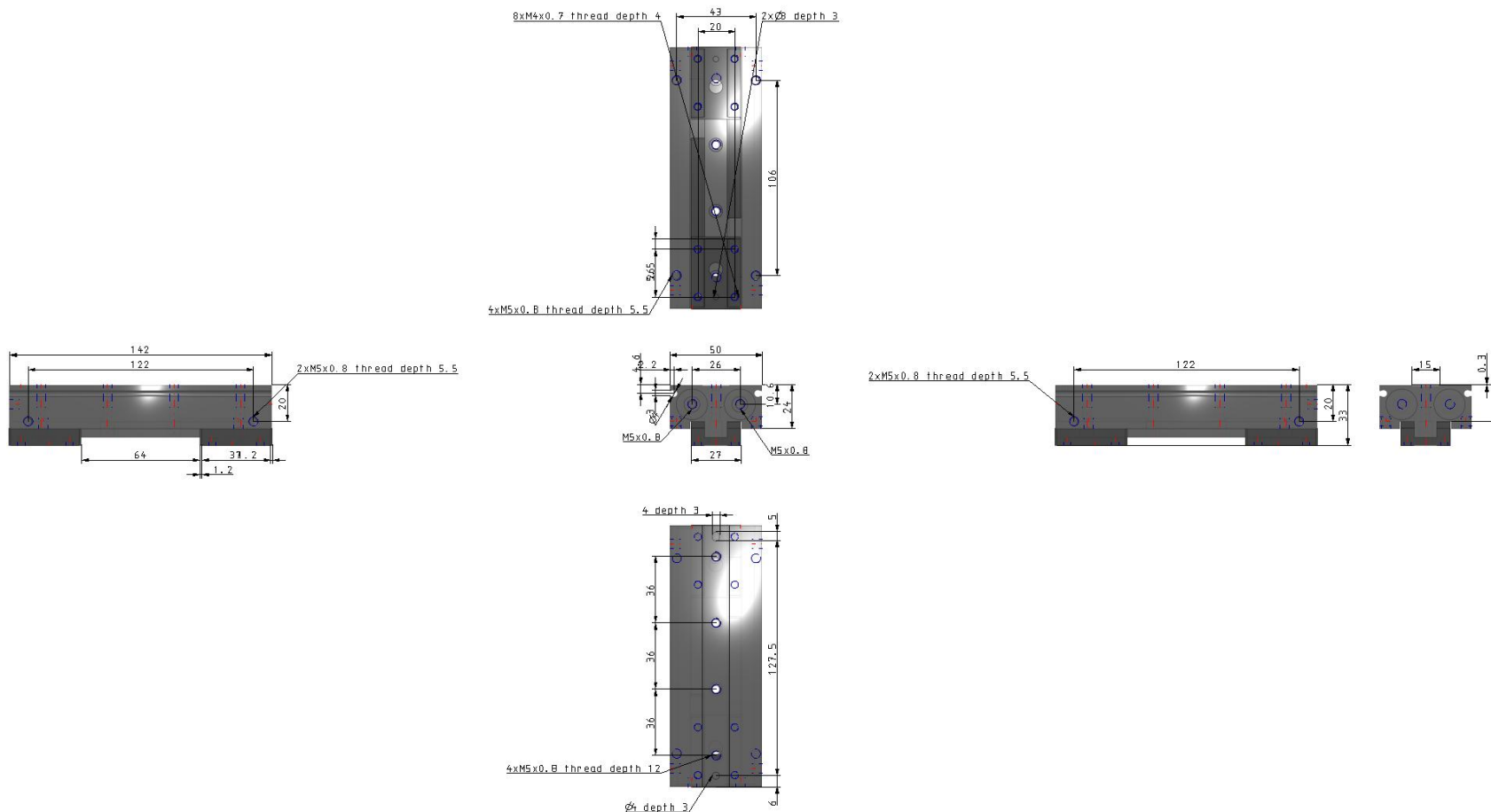
*Gripper, external grip, double-acting with permanent magnet on piston*

### Standard specifications

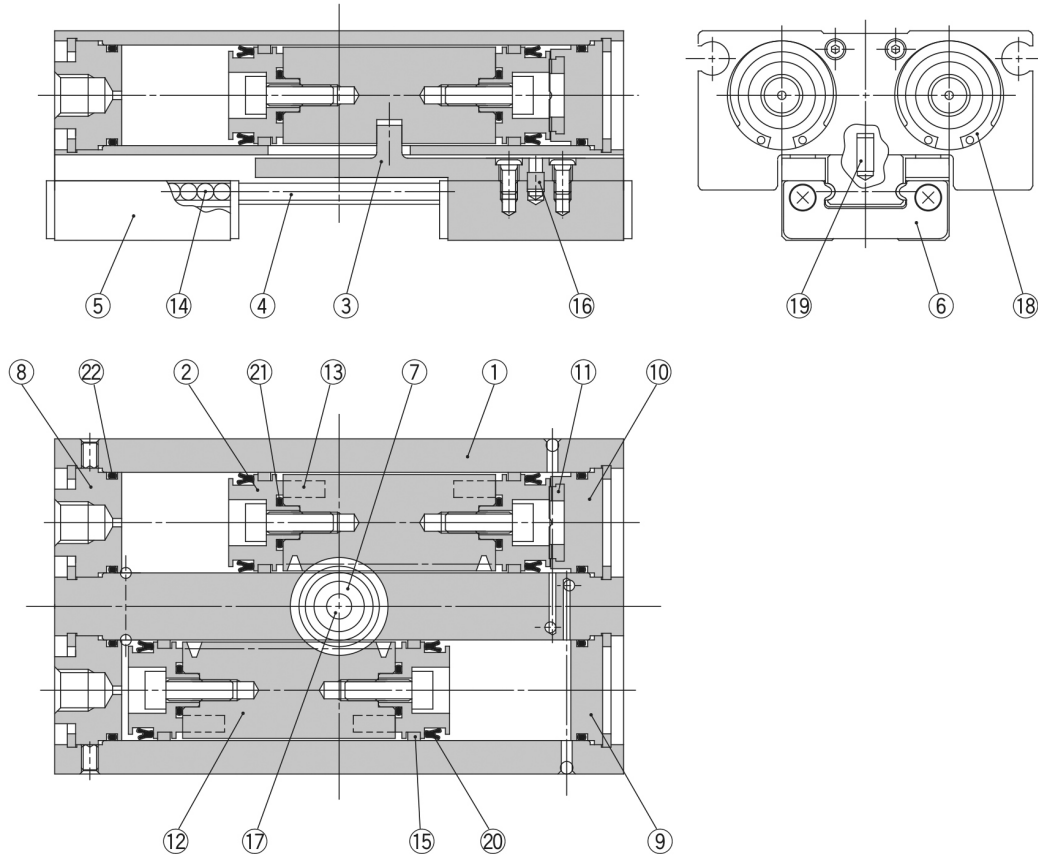
Bore Size	16mm
Opening & Closing Stroke	2 (Long Stroke)
Body Option	Axial Direction Ported
Auto Switch	No Switch
Lead Wire or Prewired Connector	0.5m (Or None in the Case of No Switch)
Number	2 pcs (Or None in the Case of No Switch)
Option	None
Stroke Adjustable Side	None
Stroke Adjustable Width	None
Pressure medium	Air
Maximum temperature of pressure medium	60 °C
Minimum temperature of pressure medium	-10 °C (No freezing)
Maximum operating pressure	0.7 MPa
Minimum operating pressure	0.1 MPa
Maximum ambient temperature	60 °C
Minimum ambient temperature	-10 °C (No freezing)
Number of pneumatic connections	2 pcs.
Pneumatic input connection	M5
Pneumatic exhaust connection	M5

Repeatability	± 0.05 mm
Lubrication	Non-lube
Type of gripper	Parallel
Number of fingers	2
Mode of operation	Double acting
Maximum operating frequency	120 c.p.m.
Effective holding force per finger (0.5 MPa)	90 N
Opening / closing stroke (both sides)	64 mm
Weight	0.650 Kg

# Dimensions



## Constructions



### Parts list

No.	Description	Material	Note
1	<b>Body</b>	Aluminium alloy	Hard anodized
2	<b>Piston</b>	Aluminium alloy	Clear anodized
3	<b>Joint</b>	Stainless steel	Heat treatment
4	<b>Guide rail</b>	Stainless steel	Heat treatment
5	<b>Finger</b>	Stainless steel	Heat treatment
6	<b>Roller stopper</b>	Stainless steel	
7	<b>Pinion</b>	Carbon steel	Nit riding
8	<b>Cap A</b>	Aluminium alloy	Clear anodized
9	<b>Cap B</b>	Aluminium alloy	Clear anodized
10	<b>Cap C</b>	Aluminium alloy	Clear anodized
11	<b>Head damper</b>	Urethane rubber	
12	<b>Rack</b>	Stainless steel	Nit riding

### Parts list

No.	Description	Material	Note
13	<b>Magnet</b>	Tare earth magnet	Nickel plated
14	<b>Steel balls</b>	High carbon chromium bearing steel	
15	<b>Wear ring</b>	Synthetic resin	
16	<b>ø12: Roller</b>	High carbon chromium bearing steel	
	<b>ø16 to 20: Parallel pin</b>	Stainless steel	
17	<b>Needle roller</b>	High carbon chromium bearing steel	
18	<b>ø12: R shape snap ring</b>	Carbon steel	Nickel plated
	<b>ø16 to 20: C type snap ring</b>		
19	<b>Parallel pin</b>	Stainless steel	
20	<b>Piston seal</b>	NBR	
21	<b>Gasket</b>	NBR	
22	<b>Gasket</b>	NBR	

## Additional information

Catalogue	<a href="#">MHF2-B_EU.pdf</a>
Operation manuals	<a href="#">OM_MHF2_OMF0021EN-A.pdf</a>