

C(D)RB2*W10~40-Z, Rotary Actuator, New Vane Style CRB2BS30-180SZ

Datasheet

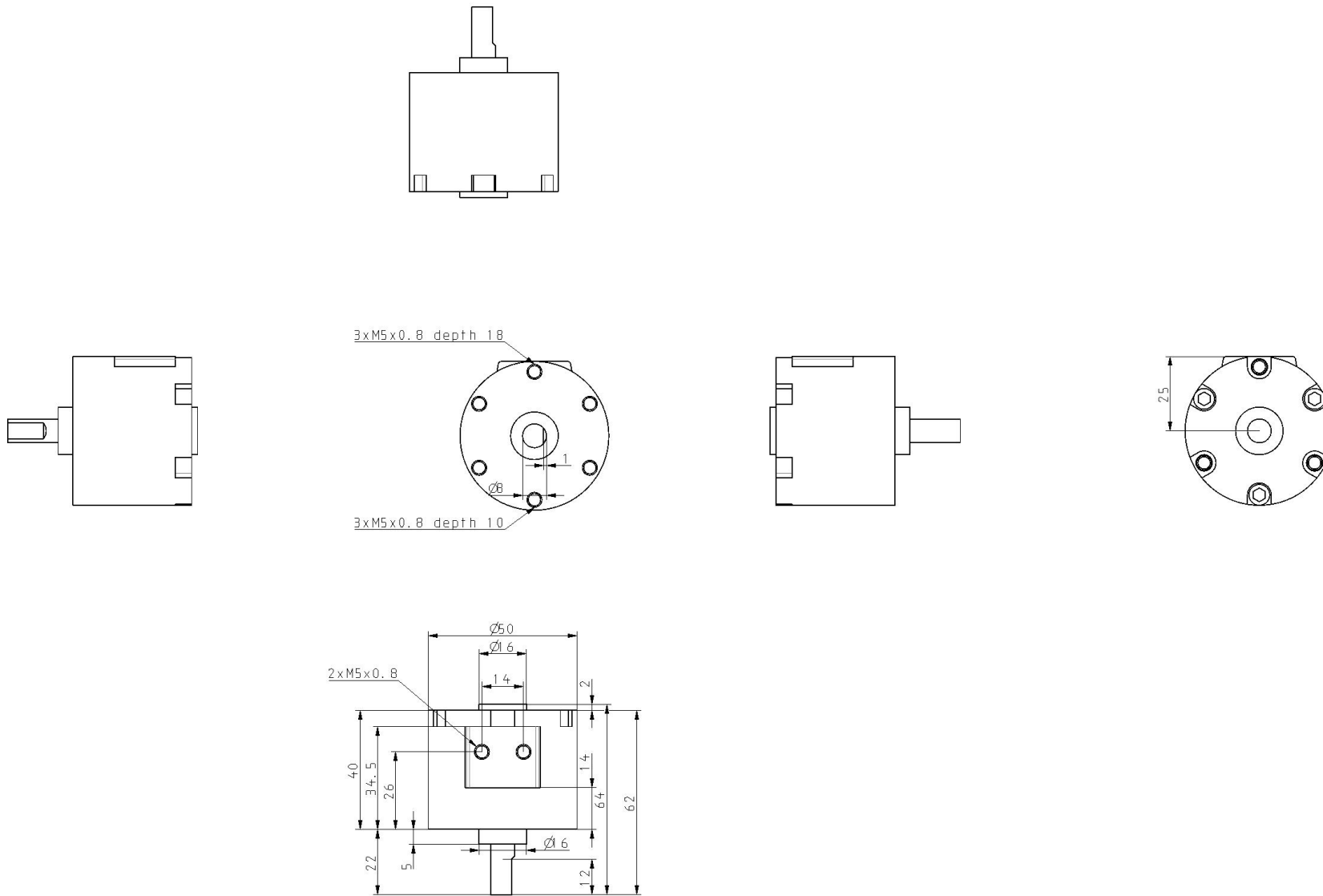
General series information

- Standard type.
- Piping ports are located on the flat surface.
- Many variations of shaft-end shape (6 types).

Standard specifications

Magnet	None
Mounting	B (Basic)
Standard Shaft Type	S (Single Shaft with Single Flat)
Angle Adjusting Unit	None
Size	30 mm
Rotation Angle - Vane	180S (Angle: 180 Single Vane)
Port	Side
Auto Switch	No Switch
Lead Wire or Prewired Connector	0.5m (Or None in the Case of No Switch)
Number	2 pcs. (Or None in the Case of No Switch)
Pressure medium	Air (Non-lube)
Maximum temperature of pressure medium	60 °C
Minimum temperature of pressure medium	5 °C
Maximum ambient temperature	60 °C
Minimum ambient temperature	5 °C
Number of pneumatic connections	2 pcs.
Geometric form of the piston rod	Single rod
Weight	0.190 Kg

Dimensions



Additional information

Catalogue

[CRB2-C_EU.pdf](#)

Operation manuals

[OM_CRB2_OM00001EN-B.pdf](#)