

AN00, Silencer, Standard AN600-10

Datasheet

Series AN silencers offer various styles and low backpressure in a compact, easy mounting design. The high noise reduction style provides over 35dB(A) noise reduction and the case is UL94-V0 grade, flame resistant material. Series AN is available with R(PT) or NPT threads.

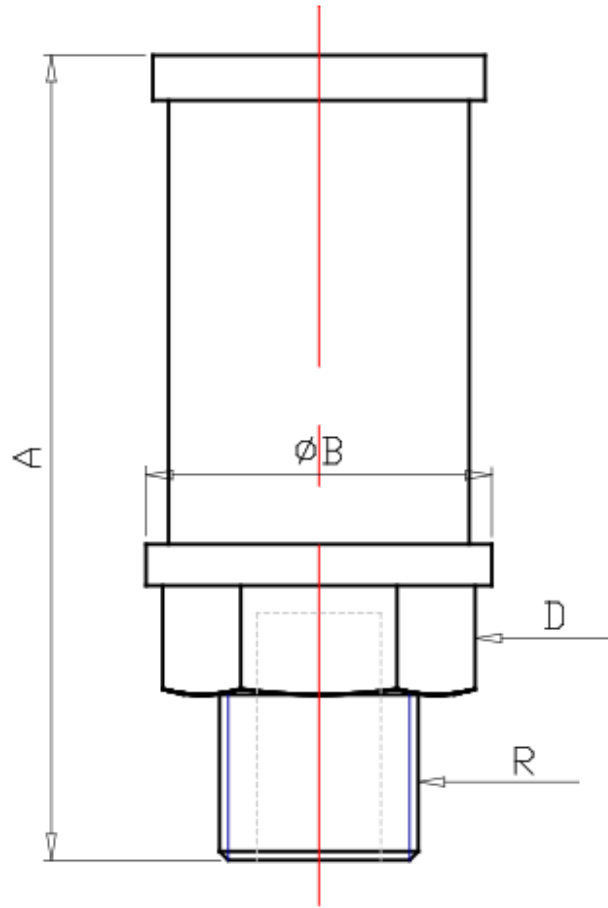


Silencer

Standard specifications

| | |
|-----------------------------|---|
| Model | AN600-10 (Size 6-Standard, Noise Reduction-Standard (30 dB), Port Size 1) |
| Pressure medium | Compressed Air |
| Maximum operating pressure | 1.0 MPa |
| Maximum ambient temperature | 60 °C |
| Minimum ambient temperature | 5 °C |
| Noise reduction | 25-35 dB |
| Effective Area | 270 mm ² |
| Weight | 0.220 Kg |

Dimensions



Additional information

Catalogue

[AN_EU.pdf](#)