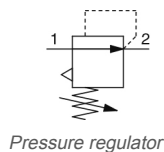


## ARX20, Regulator for 2MPa ARX21-F02

Datasheet

### General series information

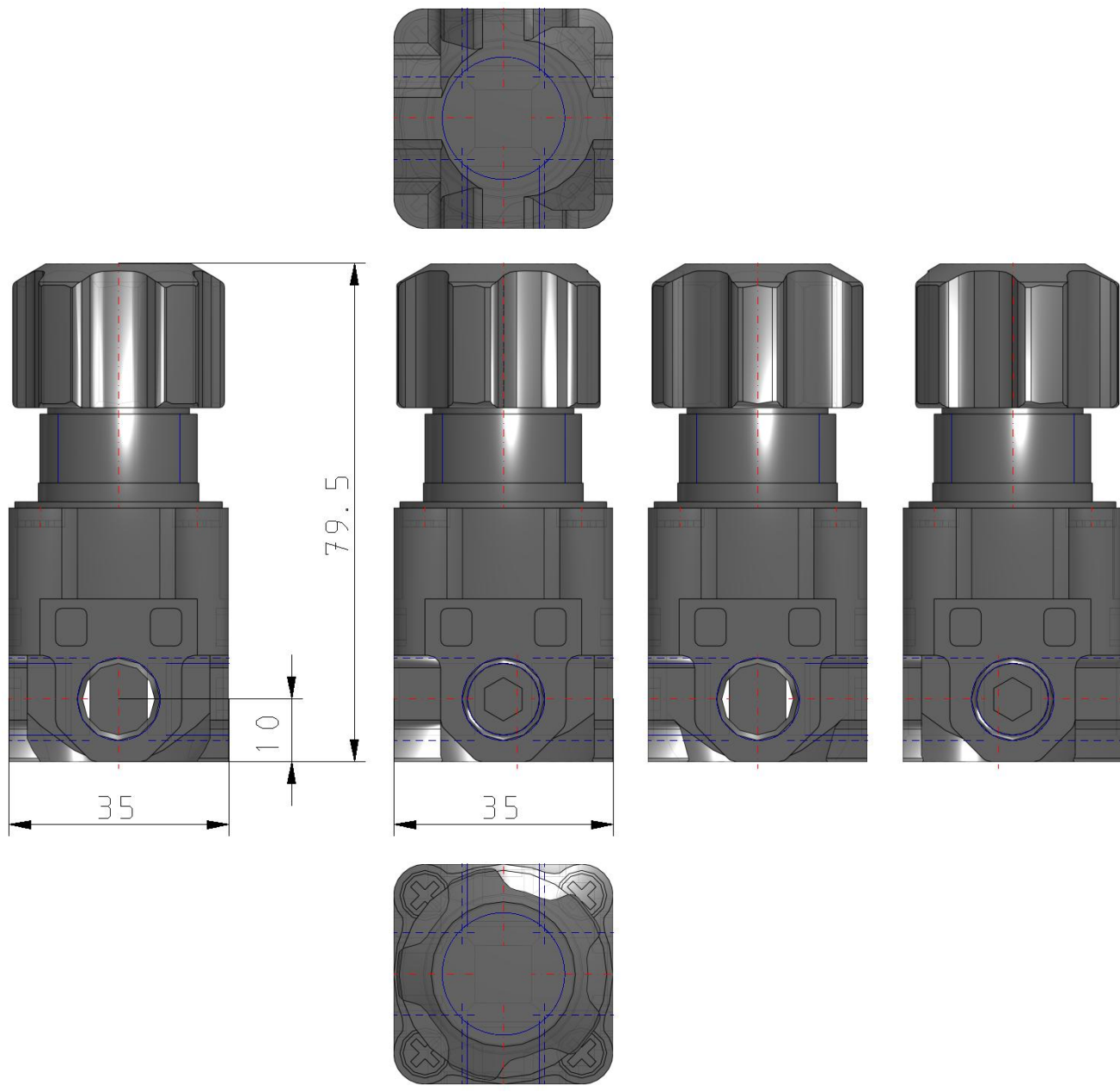
Series ARX20, piston type regulator, is compatible with a primary supply pressure of 2.0MPa and is ideal for pressure adjustment of air blowing applications. The ARX has a compact design with a width of 35mm and an overall length of 80mm. The piston operated design ensures long operating life. The ARX has an easy-to-operate adjustment handle.



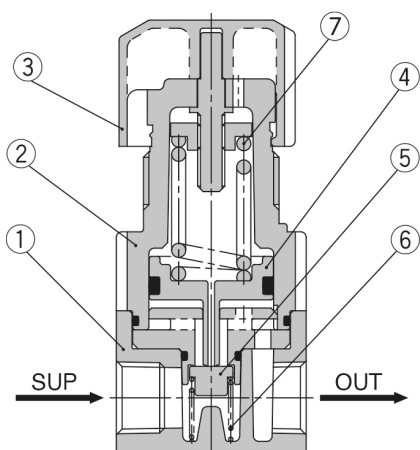
### Standard specifications

|  |                          |
|--|--------------------------|
| Pressure Range                         | 1 (0.05~0.30MPa)         |
| Thread                                 | F (G(PF))                |
| Port Size                              | 02 (1/4)                 |
| Option                                 | None                     |
| Pressure medium                        | Air                      |
| Maximum temperature of pressure medium | 60 °C                    |
| Minimum temperature of pressure medium | -5 °C (with no freezing) |
| Maximum operating pressure             | 2.0 MPa                  |
| Proof pressure                         | 3.0 MPa                  |
| Maximum ambient temperature            | 60 °C                    |
| Minimum ambient temperature            | -5 °C (with no freezing) |
| Conform to the European RoHS Directive | Conform                  |
| Approvals                              | No need                  |
| Weight                                 | 0.157 Kg                 |

# Dimensions



## Constructions



### Parts list

| No. | Description   | Material | Note             |
|-----|---------------|----------|------------------|
| 1   | <b>Body</b>   | ADC      | Chromate treated |
| 2   | <b>Bonnet</b> | POM      |                  |
| 3   | <b>Handle</b> | POM      | 1348102#1        |

### Replacement parts list

| No. | Description             | Material        | Part No.  |
|-----|-------------------------|-----------------|---|
| 4   | <b>Piston assembly</b>  | POM/NBR         | 1348104A  |
| 5   | <b>Valve</b>            | Brass/NBR       | 1348114#1   |
| 6   | <b>Valve spring</b>     | Stainless steel | 1348109   |
| 7   | <b>Adjusting spring</b> | Steel wire      | 1348108 (For 0.85 MPa)<br>1348108-1 (For 0.3 MPa) |

## Additional information

Catalogue

[ARX20-A\\_EU.pdf](#)

Operation manuals

[OM\\_ARX20\\_OMC0007EN.pdf](#)