

## C(D)U, Free Mount Cylinder, Single Acting CDU6-10T

Datasheet

### General series information

- Bore sizes from 6mm to 32mm available
- Stroke lengths up to 15mm
- Spring return, spring extend
- Space saving
- Auto-switch capable



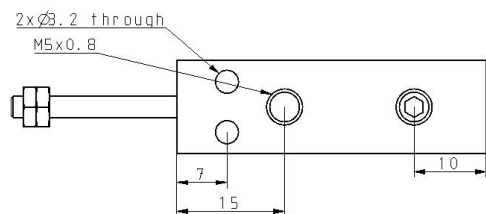
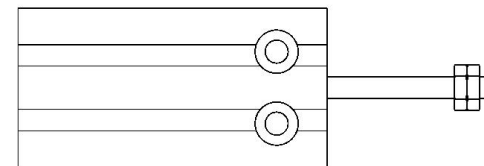
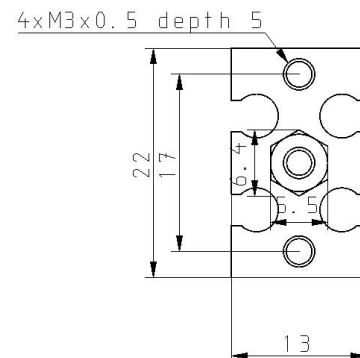
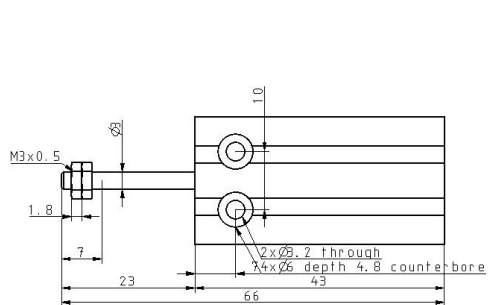
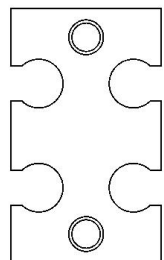
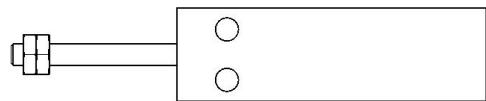
Single-acting cylinder, single piston rod, return stroke by spring

### Standard specifications

Magnet	D (Built-in Magnet)
Bore Size	6mm
Port Thread	M5x0.8; Rc1/8 for ø32
Stroke	10mm
Action	T (Single Acting Spring Extend)
Auto Switch	No Switch
Lead Wire or Prewired Connector	0.5 m (Or None in the Case of No Switch)
Number	2 pcs. (Or None in the Case of No Switch)
Maximum operating pressure	0.7 MPa
Minimum operating pressure	0.2 MPa
Proof pressure	1.05 MPa
Theoretical cylinder force, return stroke (at 0.5 MPa)	7.10 N
Type of cushioning	Rubber Bumper
Piston rod end	Male Thread
Lubrication	Non-lube
Fluid	Air
Ambient and fluid temperature	-10 - 60 °C
Stroke length tolerance	0+1.0 mm

Thread Tolerance	JIS Class2
Piston speed	50 - 500 mm/s
Weight	0.025 Kg

# Dimensions



## Additional information

Catalogue

[CU\\_B\\_EU.pdf](#)

Operation manuals

[OM\\_CU\\_OM0002EN-A.pdf](#)