

3Dfindit

powered by  **CADENAS**



ZH-D-A

CONTENT

Augmented Reality (AR) - Digital meets real	2
3D preview of ZH-D-A	3
Integrate SMC catalog inside your CAD System	4
2D derivations and Bill-Of-Material (BOM)	5
Technical drawings	6
Technical data	7
Get a free E-Learning training for SMC catalog	8



3Dfindit

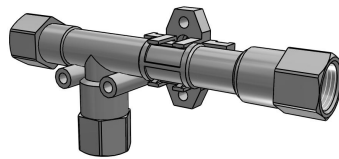
powered by  CADENAS



ZH-D-A

AR

Augmented Reality, often shortened to AR, is a technology that blends digital information into the real world. For more information, please click [here](#) or directly try yourself by scanning the QR code with your phone.



Please scan the QR code above and open on AR-enabled device.

There is a possibility that the configuration will fail. If that happens, please try a different product.



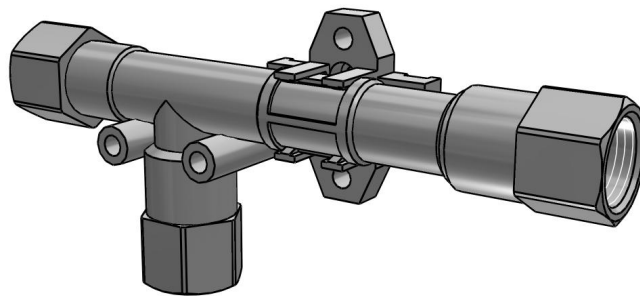
3Dfindit

powered by  CADENAS



ZH-D-A

3D view



HOW TO ACTIVATE 3D?

To activate the interactive 3D view in Acrobat Reader, you need to select, at the top of the page, **Options** and then **Trust this document**

Zoom

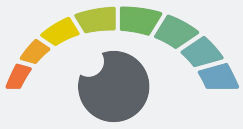
Moves you toward or away from objects in the scene when you drag vertically. You can also zoom with the hand tool by holding down Shift as you drag.

Pan

Moves the model vertically and horizontally only. You can also pan with the hand tool: Ctrl-drag.

Rotate

Turns 3D objects around relative to the screen. How the objects move depends on the starting view, where you start dragging and the direction in which you drag.



3Dfindit

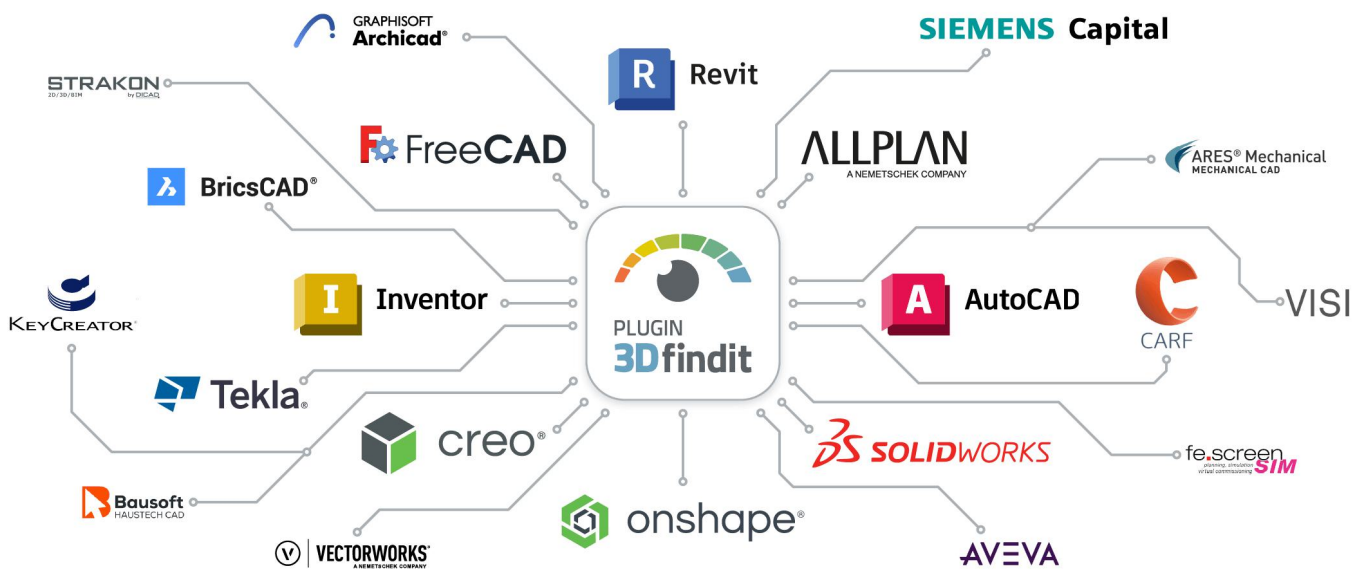
powered by CADENAS



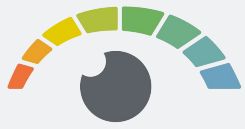
ZH-D-A

CAD plugins

With our CAD integrations, you can use 3Dfindit directly in your CAD system and make your work easier with additional comfort functions, such as replacing a part and many more.



To the plugins



3Dfindit

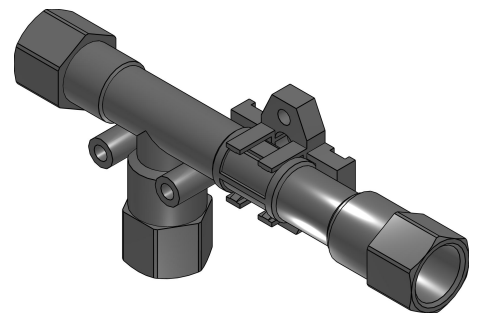
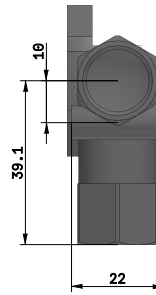
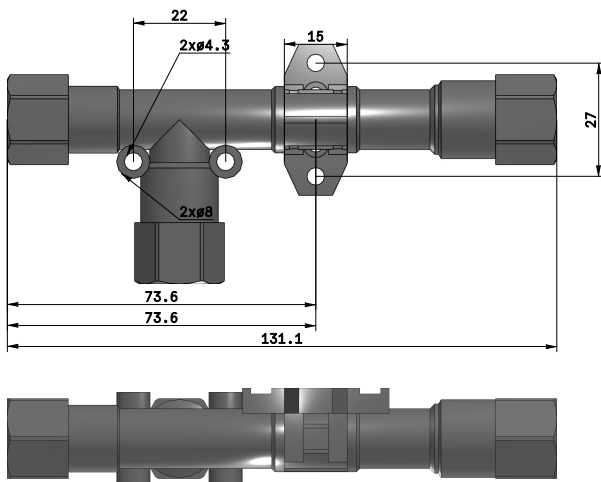
powered by CADENAS



ZH-D-A

2D derivation

ISO view



Bill-Of-Materials

N°	Description	Amount
1	ZH18DLA-03-03-03	1



3Dfindit

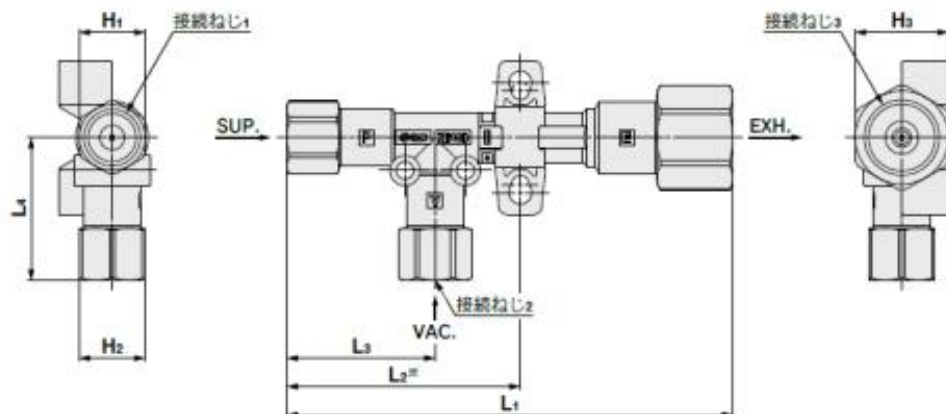
powered by CADENAS



ZH-D-A

Technical drawings

ねじ込み接続



全ポート：ねじ込み仕様

型式	H ₁	H ₂	H ₃	L ₁	L ₂ [≠]	L ₃	L ₄	接続ねじ1	接続ねじ2	接続ねじ3
ZH05D□A-01-01-01	12	12	12	67	42.5	27	26	Rc1/8	Rc1/8	Rc1/8
ZH07D□A-01-01-01				70.2						
ZH10D□A-01-01-01				76.4						
ZH13D□A-01-02-02	17	17	17	90.8	51	29.5	36.3	Rc1/4	Rc1/4	Rc1/4
ZH15D□A-02-03-03				108.2						
ZH18D□A-03-03-03	19	19	19	131.1	73.6	34.3	37.1	Rc3/8	Rc3/8	Rc3/8
ZH20D□A-03-04-04				142.6						
		24	24		41.1		44.1	Rc3/8	Rc1/2	Rc1/2



3Dfindit

powered by  CADENAS



ZH-D-A

Technical data

NOZZLE (Nozzle diameter)	(18) dia 1.8mm
MVPRESSURE (Maximum vacuum pressure)	(L) -66kPa
SUP (SUP. port size)	(03) Rc 3/8 Screw-in
VAC (VAC. port size)	(03) Rc 3/8 Screw-in
EXH (EXH. port size)	(03) Rc 3/8 Screw-in
ACCESSORIES (Accessories(Standard bracket/Silencer))	(-) With standard bracket/Without silencer
THREAD (Thread on/off)	on



3Dfindit

powered by  CADENAS



ZH-D-A

E-Learning

Discover free training for 3Dfindit, the search engine for engineers, designers, and architects. Our 30 to 50-minute interactive courses provide you with comprehensive knowledge about the platform. Upon successful completion, you will receive a certificate. Start your first course now and master 3Dfindit!

Become an Expert of Digital Engineering



3Dfindit

Boost your career and get ready for Industry 4.0!

[Learn more](#)

[Start course](#)