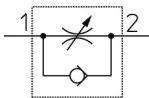


Elbow - AS*2*0 AS1200-M3

Datasheet

General series information

- Port Size: M3, M5, 10-32 UNF, 1/8, 1/4, 3/8, 1/2
- Operating Pressure Range: 0.1 to 1 MPa.

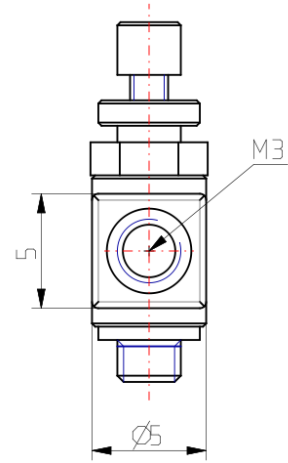
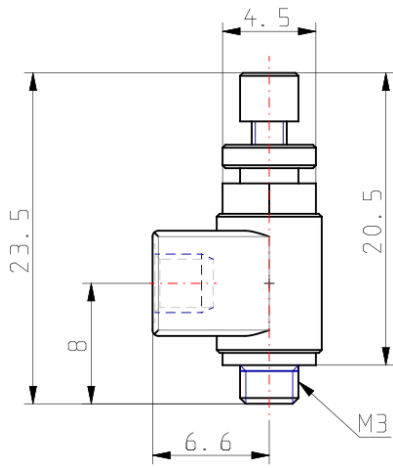


Flow control valve, adjustable, with reverse free flow

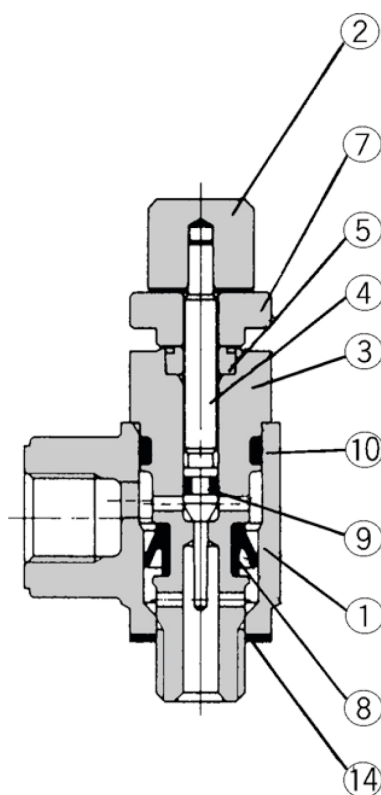
Standard specifications

Size	1 (M3, M5 Basis)
Style	2 (Elbow)
Control Method	0 (Meter-out)
Thread	Rc (Metric M3, M5; Unified 10-32UNF)
Port Size	M3 (M3X0.5)
Option	None
Made to Order	None
Lock Nut	Standard (Hexagon)
Pressure medium	Air
Maximum operating pressure	0.7 MPa
Minimum operating pressure	0.1 MPa
Proof pressure	1.05 MPa
Maximum ambient temperature	60 °C
Minimum ambient temperature	-5 °C
Weight	0.003 Kg

Dimensions



Constructions



Component Parts

No.	Description	Material	Note
①	Body A	Zinc alloy	
②	Handle	Brass	Electroless nickel plated
③	Body B	Brass	Electroless nickel plated
④	Needle	Brass	Electroless nickel plated
⑤	Needle guide	Brass	Electroless nickel plated
⑦	Lock nut	Steel	
⑧	U-seal	HNBR	Zinc chromated ⁽²⁾
⑨	O ring	NBR	
⑩	O ring	NBR	
⑭	Gasket	PVC	M3 type
		NBR, Stainless steel	M5, U10/32 types

Note 2) Meter-in type: Black zinc chromated

Additional information

Catalogue

[AS_2_0-A_EU.pdf](#)