

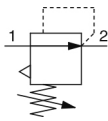
ARM10, Small Manifold Regulator, Single Unit

ARM10-06G

Datasheet

General series information

- Small manifold regulator, single unit
- IN/OUT fittings: straight & elbow (metric & inch)
- Proof pressure: 1.5MPa
- Ambient temperature: 5~60°C
- Accessories: bracket, pressure gauge, panel nut
- Options: 0.35MPa setting, non-relieving, oil free

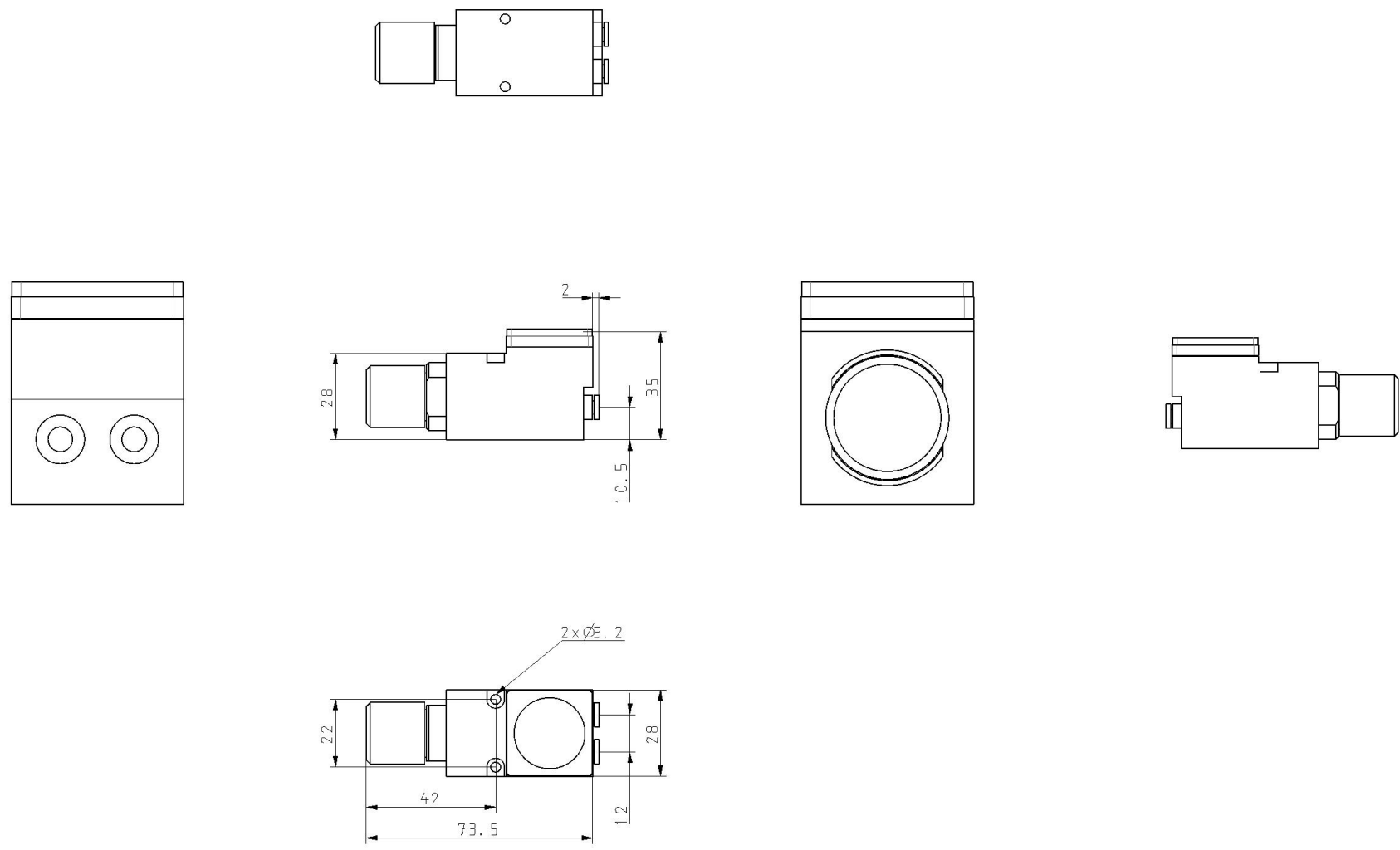


Pressure control valve, relieving pressure regulator, adjustable

Standard specifications

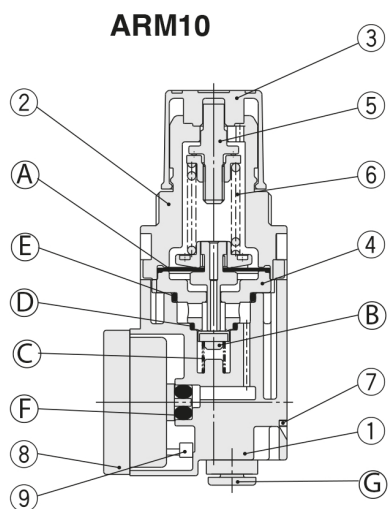
Fitting	06 (IN: Straight Ø4, OUT: Straight Ø4)
Accessory	G (Pressure Gauge)
Option	None
Unit	Name Plate, Pressure Gauge MPa
Digital Pressure Switch Output Specifications	None
Maximum operating pressure	1.0 MPa
Proof pressure	1.5 MPa
Set pressure range	0.05 - 0.7 MPa
Fluid	Air
Regulator construction	Direct acting
Working principle	Diaphragm regulator
Relief mechanism	Relief type
Backflow function	Within (unbalance type)
Ambient and fluid temperature	5 - 60 °C
Weight	0.073 Kg

Dimensions



Specifications are subject to change without prior notice and any obligation on the part of the manufacturer.

Constructions



Component Parts

No.	Description	Material
1	Body	PBT
2	Bonnet	PBT
3	Handle	POM
4	Valve seat	POM
5	Adjusting screw assembly	Reinforced steel
6	Adjustment spring	Steel wire
7	Regulator clip	Stainless steel
8	Blanking plate assembly	—
9	Square nut	Steel

No.	Description	Material	Note
A	Diaphragm assembly	Weatherproof NBR, POM	Relieving type
			Non-relieving type
B	Valve	HNBR, Aluminum alloy	
C	Valve spring	Stainless steel	
D	O-ring	NBR HNBR	Standard model
			Oil-free specification
E	O-ring	NBR HNBR	Standard model
			Oil-free specification
F	O-ring	NBR HNBR NBR HNBR	Standard model
			Oil-free specification
			Standard model for digital pressure switch
			Oil-free spec. for digital pressure switch
G	Fitting assembly	—	

Additional information

Catalogue

[ARM10-11_EU.pdf](#)

Operation manuals

[arm10_11_op_man_ar_-omg0039-a.pdf](#)